

# INSTALLATION INSTRUCTIONS

## General Installation Instructions

1. Disconnect fuel line at fuel tank pickup (See Figure 1).
2. Install HOT JOINT®.
3. Reconnect fuel line.

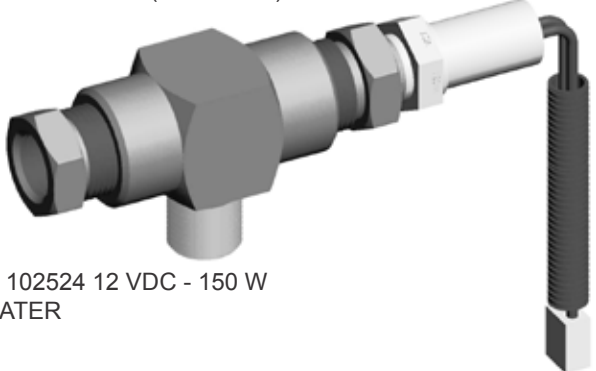
## Electrical Connection

1. Connect the HOT JOINT wire to a 15 A fuse in the ACC/IGN circuit (See Figure 1).
2. If a 15 A circuit is not available a relay must be used (See Figure 2 for Connection Details).

**HOT JOINT SERVICE PARTS**

**HEATER**  
Part No. 102524

**CHASSIS TO GROUND HARNESS**  
Part No. 102220 (Not Shown)



PN 102524 12 VDC - 150 W  
HEATER

Covered under one or more of the following U.S. patents: 4368716, 4421090, 4428351, 4495069, 4539109, 4612897, 4676895, 4680110, 4883943, and foreign patents or others pending.

