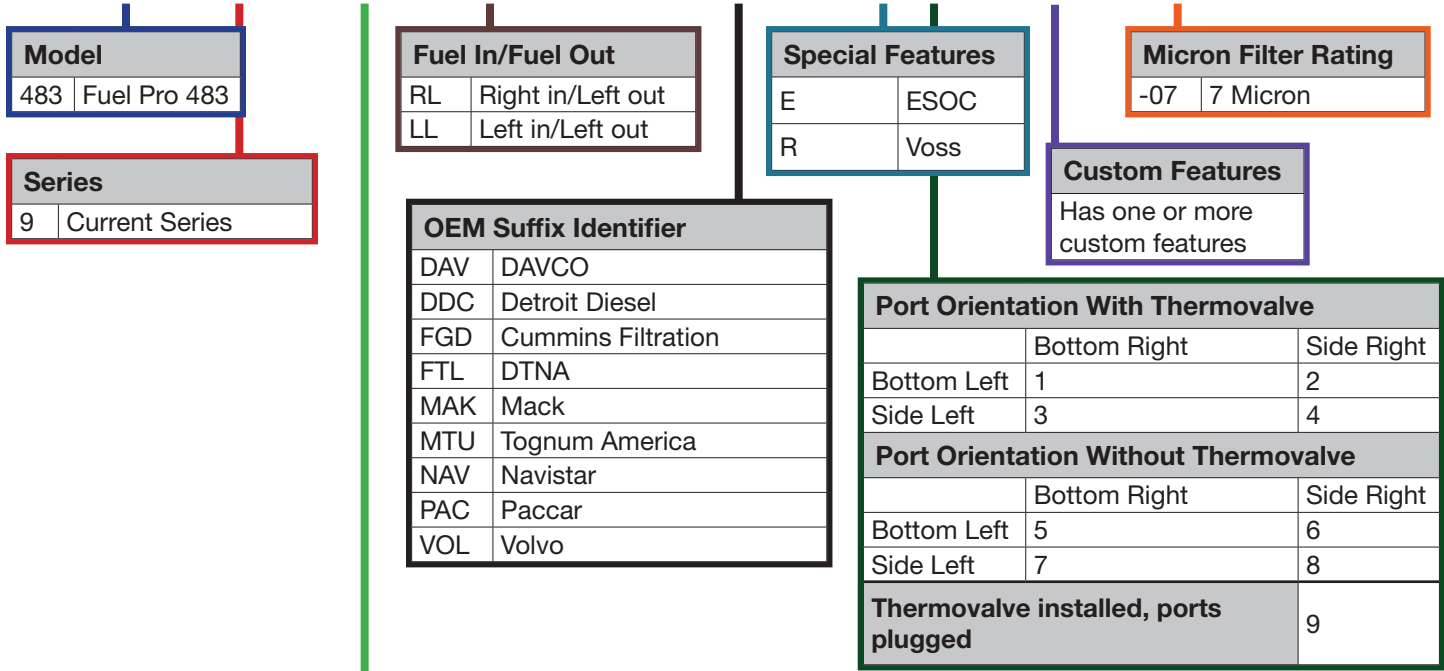


Use this sample part number and the chart below to determine the correct model, features and options.

# 483 9 50 RL DAV E101-07



| Options |  |    |  |
|---------|--|----|--|
| 30      | Fluid Heat   | 50 | Unheated   |
| 31      | Fluid Heat and WIF   | 51 | Unheated with WIF  |
| 32      | Fluid Heat with 12VDC 195W preheater                                       | 52 | 12VDC 195W preheater                                       |
| 33      | Fluid Heat with 12VDC 195W preheater, and WIF                              | 53 | 12VDC 195W preheater and WIF                               |
| 34      | Fluid Heat with 24VDC 195W preheater                                       | 54 | 24VDC 195W preheater                                       |
| 35      | Fluid Heat with 24VDC 195W preheater, and WIF                              | 55 | 24VDC 195W preheater and WIF                               |
| 38      | Fluid Heat with 12VDC 155W preheater                                       | 58 | 12VDC 155W preheater                                       |
| 39      | Fluid Heat with 12VDC 155W preheater, and WIF                              | 59 | 12VDC 155W preheater and WIF                               |
| 40      | Fluid Heat with 120VAC 75W overnight heater                                | 60 | 120VAC 75W overnight heater                                |
| 41      | Fluid Heat with 120VAC 75W overnight heater, and WIF                       | 61 | 120VAC 75W overnight heater and WIF                        |
| 42      | Fluid Heat with 12VDC 195W preheater, and 120VAC 75W overnight heater      | 62 | 12VDC 195W preheater and 120VAC 75W overnight heater       |
| 43      | Fluid Heat with 12VDC 195W preheater, 120VAC 75W overnight heater, and WIF | 63 | 12VDC 195W preheater, 120VAC 75W overnight heater, and WIF |
| 44      | Fluid Heat with 24VDC 195W preheater, and 120VAC 75W overnight heater      | 64 | 24VDC 195W preheater and 120VAC 75W overnight heater       |
| 48      | Fluid Heat with 12VDC 155W preheater, and 120VAC 75W overnight heater      | 65 | 24VDC 195W preheater, 120VAC 75W overnight heater, and WIF |
| 49      | Fluid Heat with 12VDC 155W preheater, 120VAC 75W overnight heater, and WIF | 68 | 12VDC 155W preheater and 120VAC 75W overnight heater       |
|         |  | 69 | 12VDC 155W preheater, 120VAC 75W overnight heater, and WIF |