
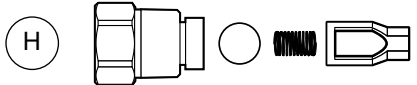
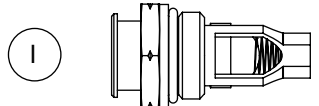
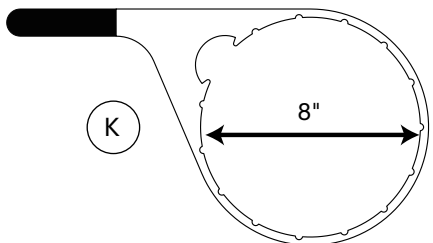
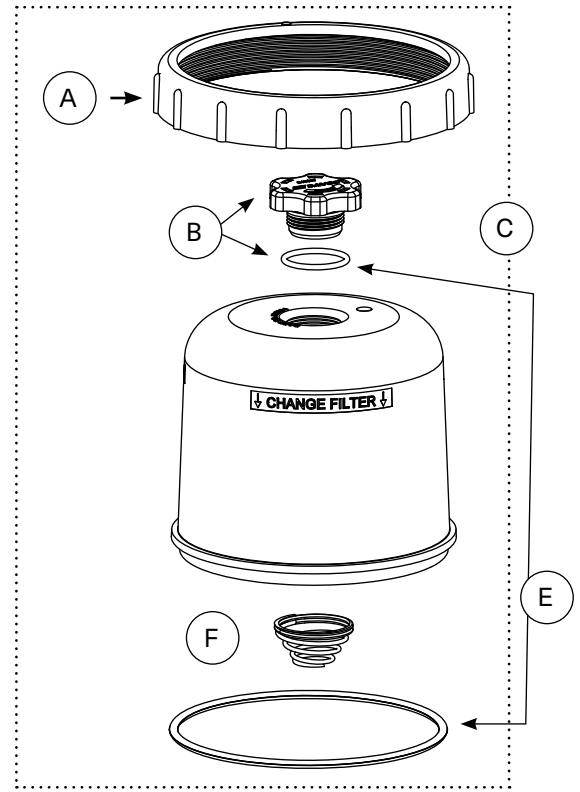
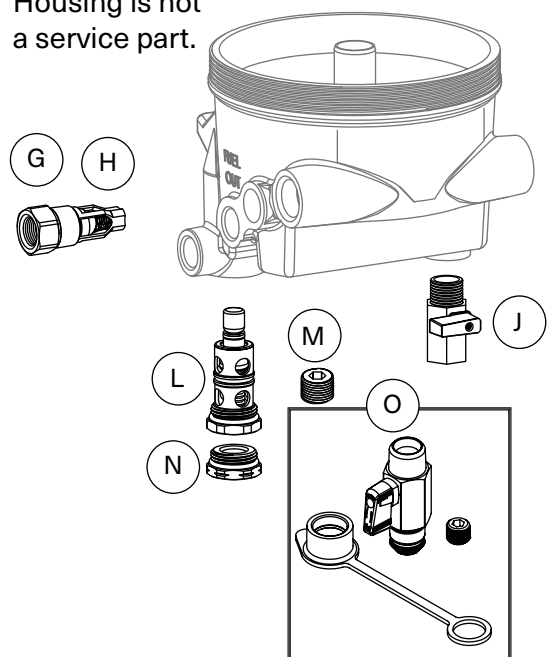


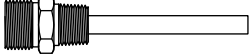
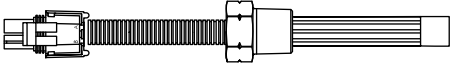


Service Parts and Kits		
A	482003SDVC	Collar
B	240023SDVC	Vent Cap Service Kit (vent cap and o-ring)
C	483047SDVC	Cover, Collar, Spring, Vent Cap and Vent Cap and Collar O-rings
E	482022DVC	O-ring Service Kit (Vent Cap/Collar)
F	380056DVC	Spring
G	101132DVC	Check Valve Service Kit (Includes Ball, Spring, and Retainer)
		
H	103071DVC	Check Valve Assembly (Includes Body and Check Valve Service Kit)
		
I	103209DVC	Voss Check Valve Assembly
		
J	102008DVC	Drain Valve
K	482017DVC	Collar Wrench
		
L	483029DVC	Therموالve
M	020909DVC	Coolant Port Plug (4 per kit)
N	101999DVC	Therموالve Port Cap
O	103603DVC	ESOC Service Kit (includes drain, dust cap and plug)



Housing is not a service part.



Heaters and Water-in-Fuel (WIF) Sensors		
102521DVC	Two Pin WIF, Deutsch Connector (black), ½"-20 UNF Threads, Harness Length 3.36"	
103138DVC	Two Pin WIF, Tyco/AMP Connector, ½"-20 UNF Threads, Harness Length 10.50" (Paccar)	
102145DVC	120VAC 75W Overnight Heater, ½"-14 Threads	
103529DVC	12VDC 195W PTC Pre-heater, Weather Pack Connector, ½"-14 NPTF Threads, Harness Length 19.81"	
103111DAV	Two Pin WIF, Tyco/AMP Connector, ½"-20 UNF Threads, Harness Length 3.25" (Paccar)	