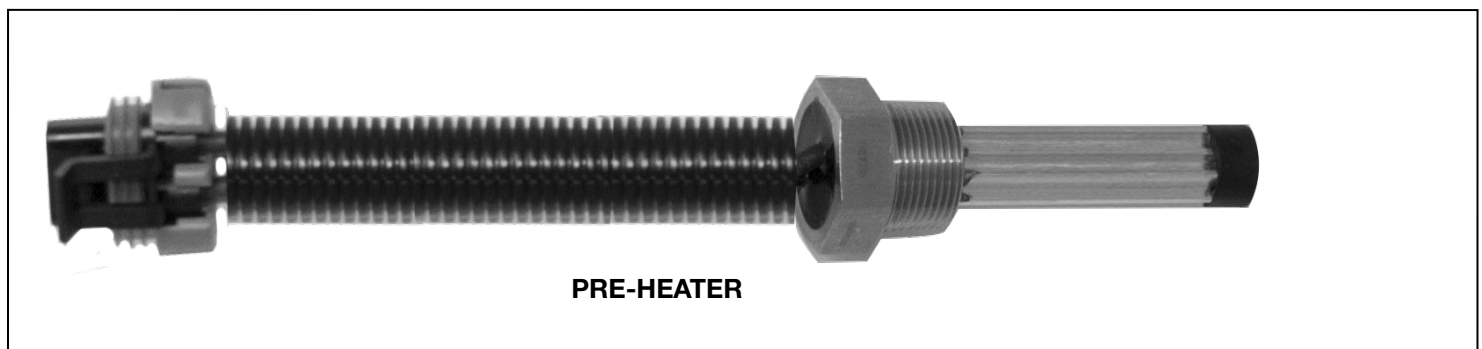
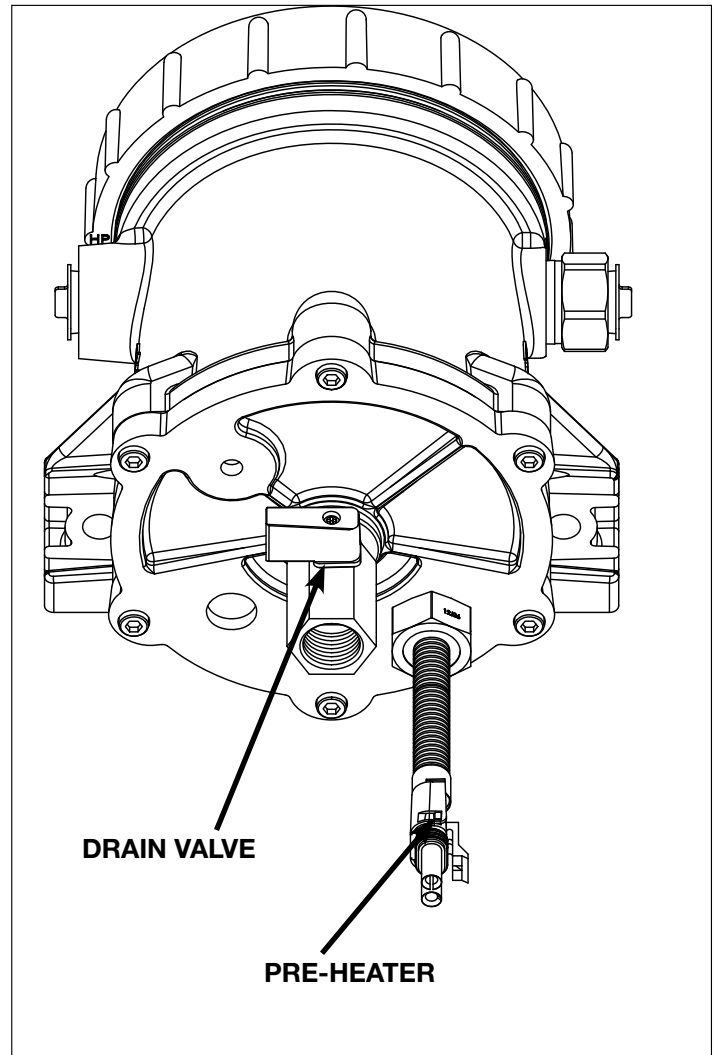


This is a replacement kit for a DAVCO Fuel Pro® 382/384 or Industrial Pro® wire harness, thermostwitch, and pre-heater, to a pre-heater assembly. A replacement seal for the bottom plate and a pipe plug is included.



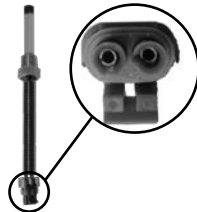
1. Drain all fuel from the Fuel Processor. Dispose of the fuel in an environmentally responsible manner.
2. Disconnect and remove the chassis harness, thermostwitch, and pre-heater. (If necessary, remove the bottom plate from the unit for ease of assembly/disassembly).
3. Apply pipe sealant to threads of pipe plug and the new pre-heater and install into the bottom plate. If the bottom plate was removed, replace the seal (round style for bottom collar, square style for bolt-on) and reinstall. Torque bottom collar to 50-60 ft-lbs or screws to 10-12 ft-lbs.
4. Connect the pre-heater harness to the chassis power connector.
5. Start engine, when the lubrication system reaches normal operating pressure, increase the RPM for one minute. Slowly open vent cap until fuel level drops to one inch above collar. Hand tighten vent cap.






Electric Pre-heater and Thermo-switch Replacement with a One Piece Combination Assembly


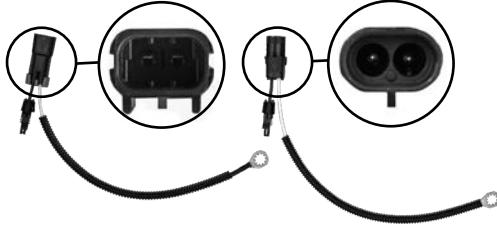
Replacing a 12 VDC <u>Weather Pak</u> Connector			
Obsolete Part Numbers		Replacement Part Numbers	
12 VDC Fuel Pro Pre-heater	102166	12 VDC Fuel Pro Pre-heater	102694
12 VDC Industrial Pro Pre-heater	102463	12 VDC Industrial Pro Pre-heater	102695
12 VDC 3 Wire Pre-heater	102406		
12 VDC Thermo Switch	102453		
12 VDC 3 Wire Thermo Switch	102398		
12 VDC Harness	102455		
12 VDC 3 Wire Harness	102406		

Replacing a 24 VDC <u>Weather Pak</u> Connector			
Obsolete Part Numbers		Replacement Part Numbers	
24 VDC Fuel Pro Pre-heater	102168	24 VDC Fuel Pro Pre-heater	102692
24 VDC Industrial Pro Pre-heater	102464	24 VDC Industrial Pro Pre-heater	102696
24 VDC 3 Wire Pre-heater	102399		
24 VDC Thermo-switch	102454		
24 VDC 3 Wire Thermo-switch	102398		
24 VDC Harness	102455		
24 VDC 3 Wire Harness	102399		

Original Style	Pre-heater with Thermo-switch	PTC Pre-heater
		

Electric Pre-heater and Thermoswitch Replacement with a One Piece Combination Assembly

Replacing a 12 VDC <u>Metri Pak</u> Connector			
Obsolete Part Numbers		Replacement Part Numbers	
12 VDC Pre-heater	102166	12 VDC Pre-heater	102693
12 VDC Thermoswitch	102453		
12 VDC Harness	102456		
12 VDC 3 Wire Thermoswitch	102398		
12 VDC 3 Wire Harness	102407		
12 VDC Harness	102455		
12 VDC 3 Wire Harness	102406		
<p>Original</p> 		<p>Pre-heater with Thermoswitch</p> 	<p>PTC Pre-heater</p> 

Replacing a 12 VDC <u>Pre-heater for Fuel Pro 380</u>			
Obsolete Part Numbers		Replacement Part Numbers	
12 VDC Pre-heater	380636	12 VDC Pre-heater Kit	102695
12 VDC Thermoswitch	103033	12 VDC Chassis Harness Adapter (Weather Pak)	102359
12 VDC Harness	101204	12 VDC Chassis Harness Adapter (Metri Pak)	102771
<p>Original</p> 	<p>Updated</p>  <p>Must use pre-heater kit and one adapter kit.</p>		