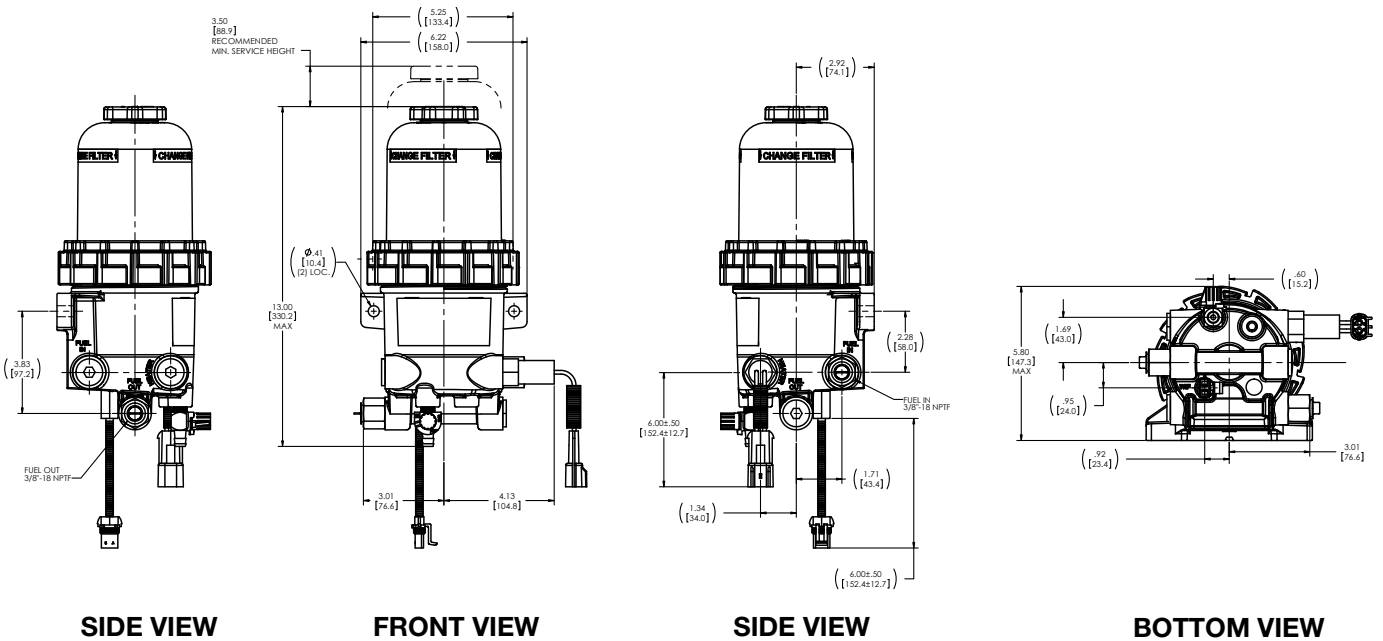


## DIMENSIONS



## OPTIONS/FEATURES

- Torque Limiting Vent Cap
- Fuel in and Fuel out: Left/Right options
- Water In Fuel Sensor (WIF)
- Electric Pre-heaters
  - 12 VDC
  - 120 VAC

## FILTRATION PERFORMANCE DIESEL PRO 243 AT 60 GPH

Micron	Coarse Water Removal (%)	Emulsified Water Removal (%)	Dirt Holding Capacity (grams)
7 mic	99.6	98.9	118

## PRODUCT SPECIFICATIONS

Height Overall	13.00 in (330.2 mm)
Depth Overall	5.80 in (147.3 mm)
Width, max.	6.30 in (160.0 mm)
Mount Bracket Centers	5.25 in (133.4 mm)
Weight, dry	5.7lbs-5.80 lbs
Fuel In Connection	1/2"-14 NPTF
Fuel Out Connection	1/2"-14 NPTF
Filter Service Clearance Min	3.50 in (88 mm)
Max Fuel Flow	60 gph
Electric Pre-heater	12VDC, 150W, 13A
	120VAC 75W, .65A

## RESTRICTION VS. FLOW

