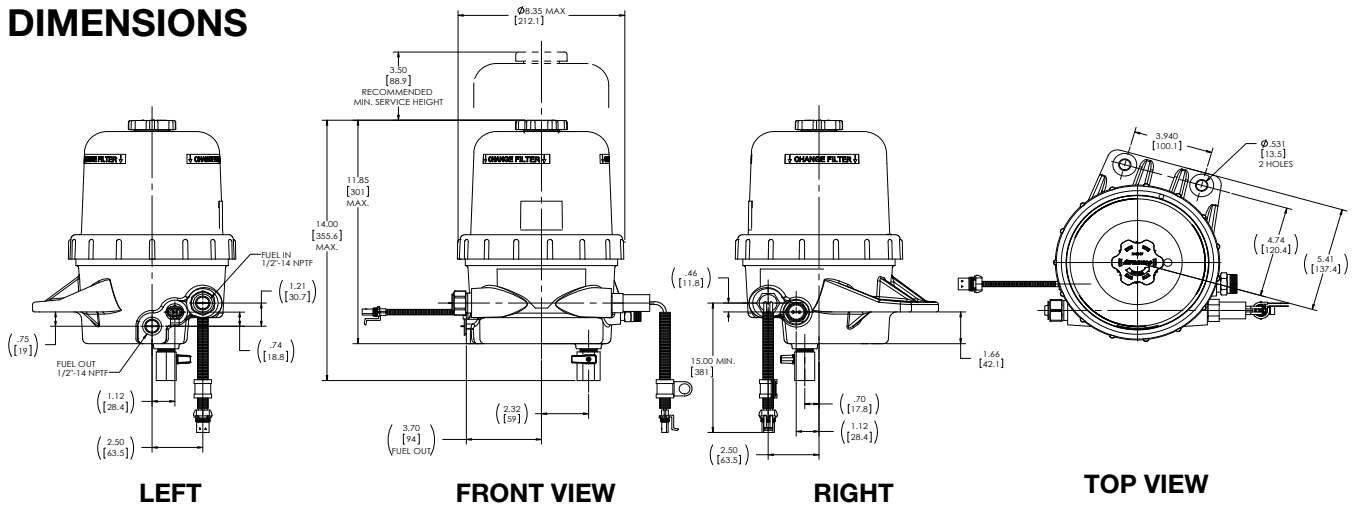


DIMENSIONS



PRODUCT SPECIFICATIONS

Height Overall	14 in (355.6 mm)
Depth Overall	6.58 in (167.1 mm)
Width, Max.	8.35 in (212.1 mm)
Mount Bracket Centers	3.940 in (100.1 mm)
Weight, Dry	10-12 lbs
Fuel In Connection	1/2 in-14 NPTF
Fuel Out Connection	1/2 in-14 NPTF
Filter Service Clearance Min	3.5 in (88.9 mm)
Max. Fuel Flow	180 gph
Electric Pre-heater	12 VDC, 250 W, 18 A
	Overnight heater

FILTRATION PERFORMANCE

FUEL PRO 482 AT 100 GPH (EST.)

Micron	Coarse Water Removal (%)	Emulsified Water Removal (%)	Dirt Holding Capacity (grams)
7 mic	100	98.7	157

RESTRICTION VS. FLOW

