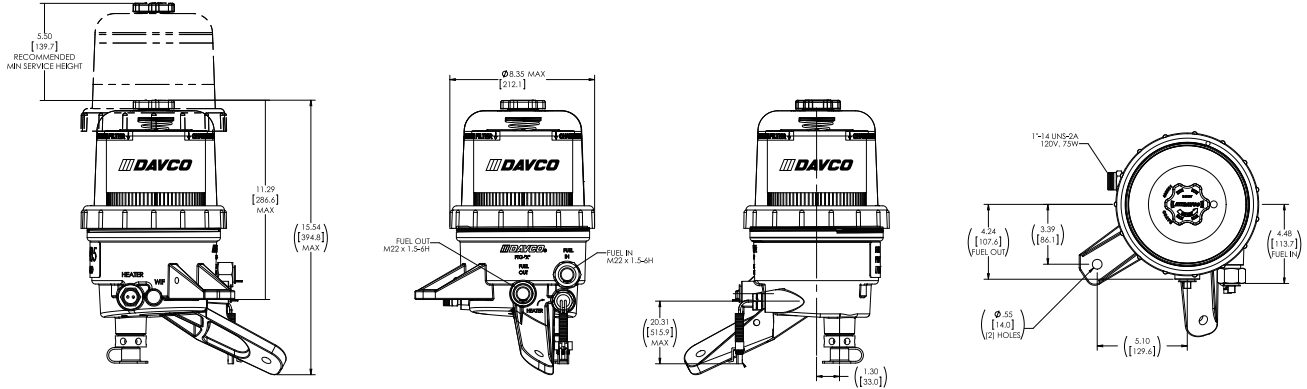


All dimensions are in inches (millimeters)



RIGHT VIEW

FRONT VIEW

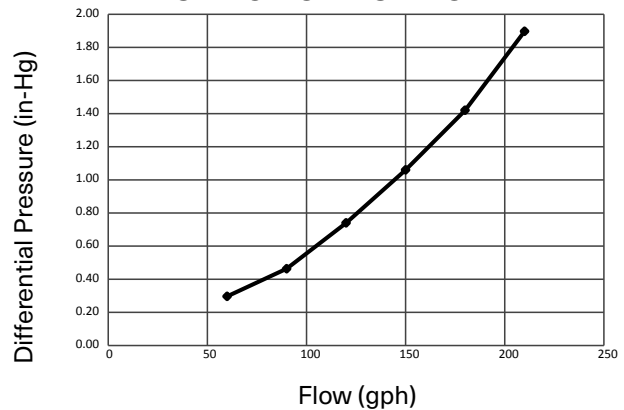
LEFT VIEW

TOP VIEW

### SPECIFICATIONS

Height Overall	15.54 in.
Depth Overall	10.34 in.
Width, Max.	11.62 in.
Weight, Dry	10.35 lbs
Fuel In Connection	M22 x 15-6H
Fuel Out Connection	M22 x 15-6H
Filter Service Clearance Min.	5.5 in.
Max. Fuel Flow	180 gph
Electric Pre-heater	12VDC (155W or 195W) or 24VDC (195W)
Overnight heater	120VAC, 75 W, .65 A

### RESTRICTION VS. FLOW



### FILTRATION PERFORMANCE AT 174 GPH

Micron	8
Coarse water removal (%)	>99%
Emulsified water removal (%)	>93%
% Emulsified water removal (end of life filter)	>80%
Dirt holding capacity (grams)	150