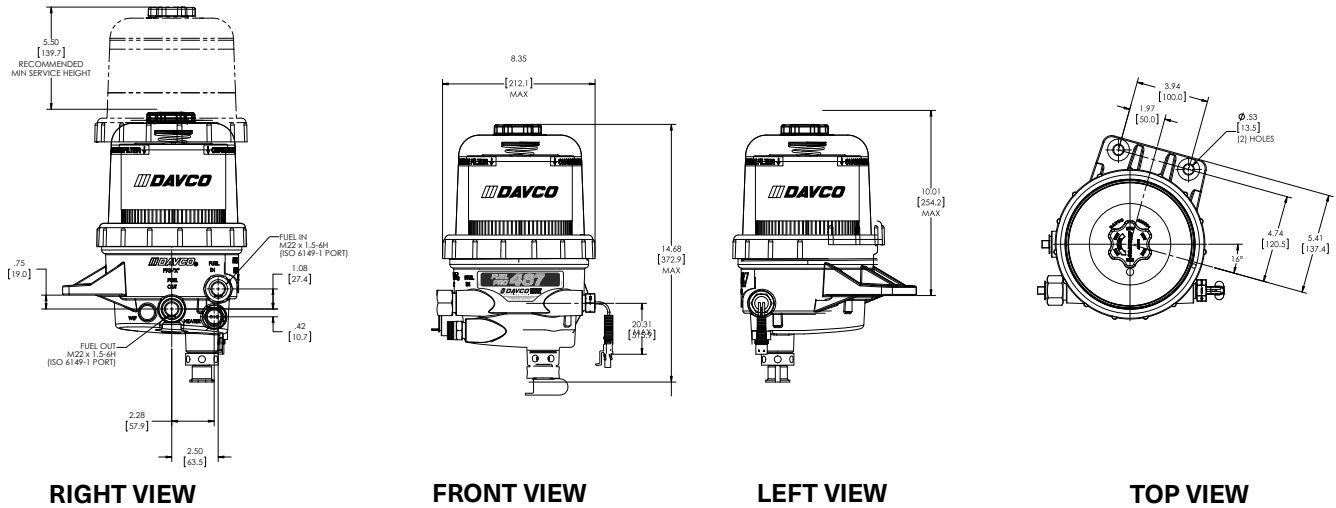
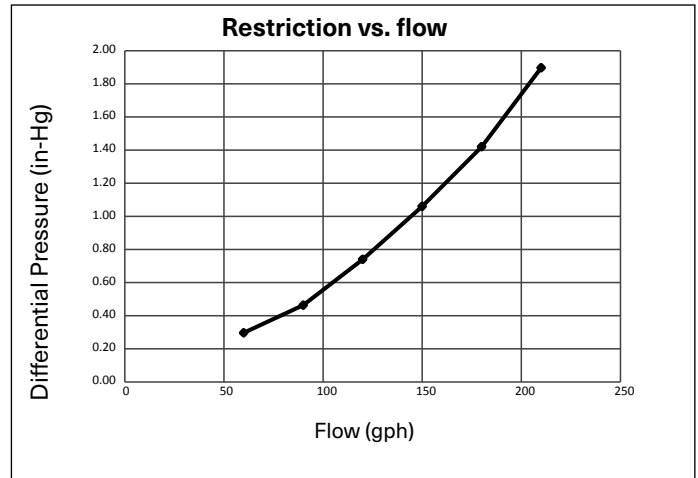


All dimensions are in inches (millimeters)



SPECIFICATIONS	
Height Overall	14.68 in.
Depth Overall	9.92 in.
Width, Max.	8.6 in.
Fuel In Connection	M22 x 15-6H
Fuel Out Connection	M22 x 15-6H
Filter Service Clearance Min.	5.5 in.
Max. Fuel Flow	180 gph
Pre-heater	12VDC (155W or 195W) or 24VDC (195W)
Overnight heater	120VAC, 75 W, .65 A



FILTRATION PERFORMANCE AT 174 GPH	
Micron	8
Coarse water removal (%)	>99%
Emulsified water removal (%)	>93%
% Emulsified water removal (end of life filter)	>80%
Dirt holding capacity (grams)	150