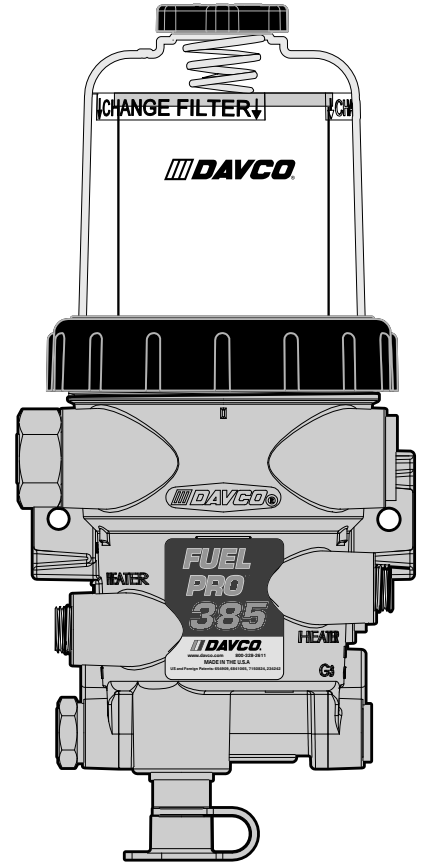




A Clarience Technologies Company

TABLE OF CONTENTS

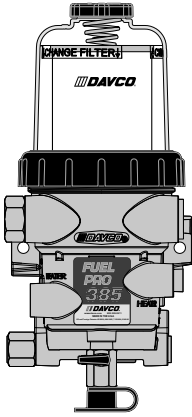
Applications, Models, and Options... 1
How it Works ... 1
"SEEING IS BELIEVING"® ... 2
Dimensions and Specifications ... 3
Δ Important Safety Precautions ... 4
Installation Instructions ... 5
Water-in-Fuel (WIF) Sensor Installation - Priming the FuelSystem ... 6
120v Overnight Heater Installation..... 7
12v Pre-Heater Installtion..... 8
Visual Diagnostics-Air vs. VaporBubbles..... 9
Diagnostic Procedures for AirLeaks 10
Visual Diagnostics with ClearCover..... 11
Diagnostic Procedures For Pre-heater..... 12
Check Valve Service 12
Filter Change Procedure 13
Preventative Maintenance 14
Service Part Numbers..... 15
Warranty Policy..... 17
Parts Return Policy 18



FOR UPDATED INFORMATION VISIT WWW.DAVCO.COM

FUEL PRO® 385
TECHNICAL MANUAL

APPLICATIONS, MODELS, AND OPTIONS



The Fuel Pro 385 combines the features of fuel filtration, fuel/water separation and fuel filter preheating into a single unit. It is intended for any diesel engine with:

- Flow rates up to 180 GPH
- Biodiesel/Renewable Fuel Compatibility

Applications

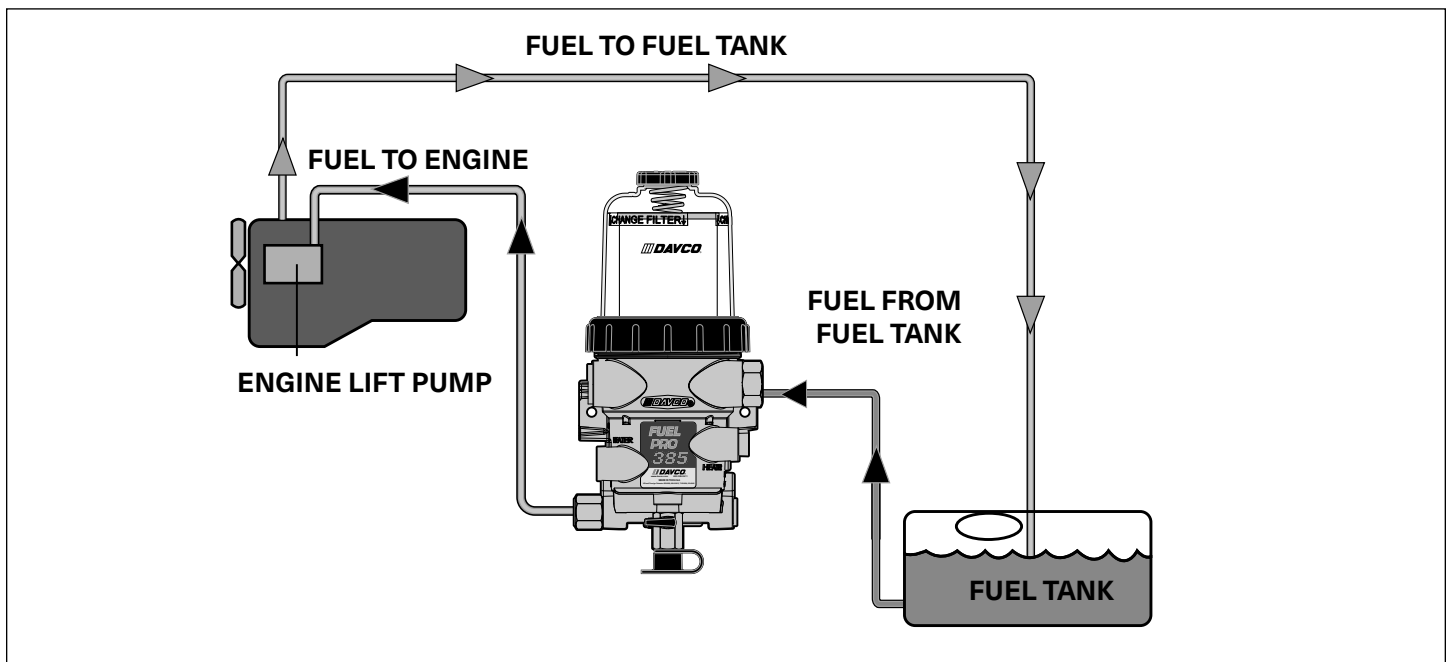
- Class 7 and 8 Trucks

Models and Options

- Base Model-Unheated
- 12VDC Pre-heater
- 120VAC Overnight heater
- Water-In-Fuel (WIF) Sensor

HOW IT WORKS

- Fuel from the tank enters the Fuel Pro body (suction side of the fuel system).
- Large contaminants and “free” water are separated from the fuel and remain in the body.
- Fuel rises into the clear cover.
- Contaminants and emulsified water are captured by the filter media.
- Fuel level continues to rise to maintain a fuel path through the clean filter media with low restriction.
- Clean, water-free fuel exits the Fuel Pro and flows to the engine fuel injection system.



“SEEING IS BELIEVING”®

See when NOT to change the fuel filter.

See the condition of the fuel. Seeing what collects on the filter media or what’s happening inside the clear cover can help diagnose many fuel and mechanical conditions.

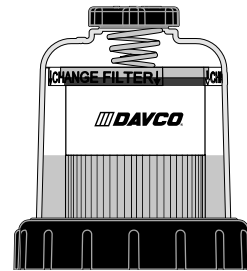
“Filter on Top” configuration. Water and debris removed from the fuel falls to the lower chamber and stays away from the filter media resulting in longer filter life.

Built in protection when priming the fuel filter. Unfiltered fuel is kept on the “dirty” side of the filter media during priming ensuring only clean fuel reaches the engine.

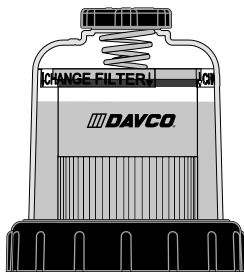
Patented media. The “Best in Class” StrataPore® media removes 98% of free and emulsified water. This far exceeds the performance of cellulose media.



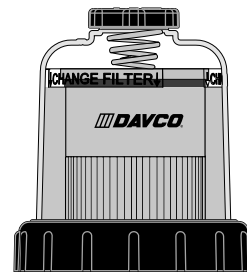
When new, the fuel level in the filter will be very low with minimal restriction. As the filter is used, contaminants collect on the filter from the bottom up. Fuel rises on the filter indicating remaining filter life.



Fuel level at filter wrap level. Even though the fuel level is now more than half of the filter element, the fuel is still flowing through clean media at minimal restriction levels. The filter still has significant life remaining.



Fuel level increases in clear cover. As contaminants collect on the filter, the fuel rises to a non-contaminated section of the filter, providing optimal filtration while maintaining lowest restriction.



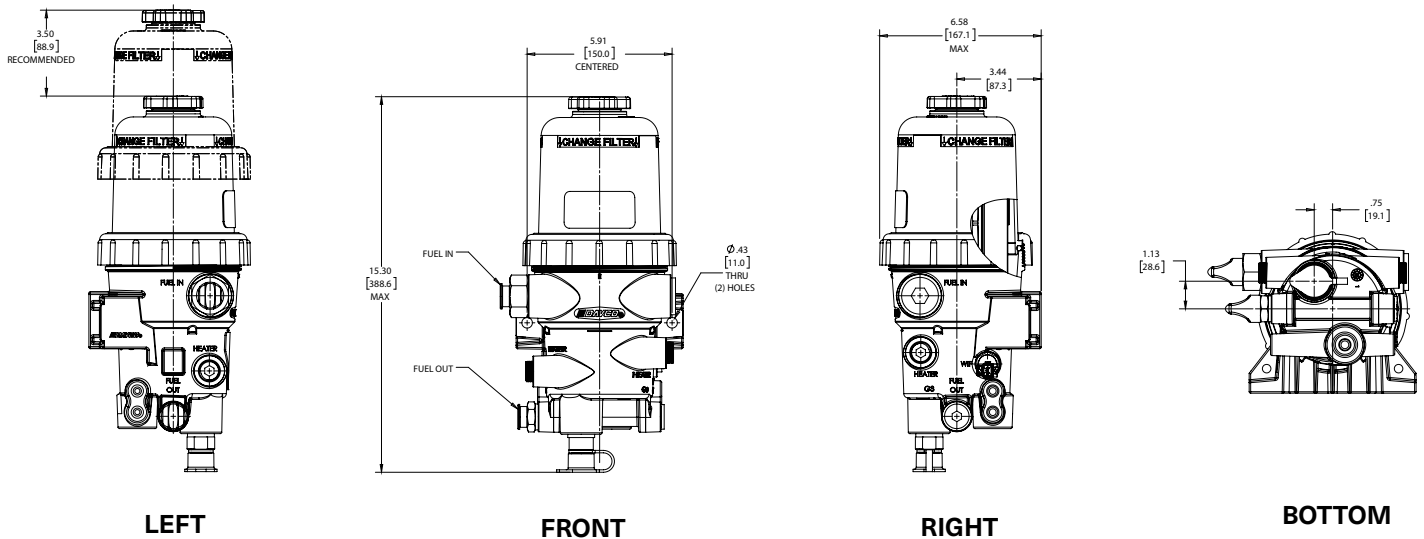
The filter element is now completely covered by fuel. At this point, all of the media’s surface area is utilized. Restriction is increasing and the filter element should be changed at the next scheduled maintenance interval.

DIMENSIONS AND SPECIFICATIONS

All dimensions are in inches [millimeters]

MOUNTING HOLE DISTANCE: 5.91 [150]

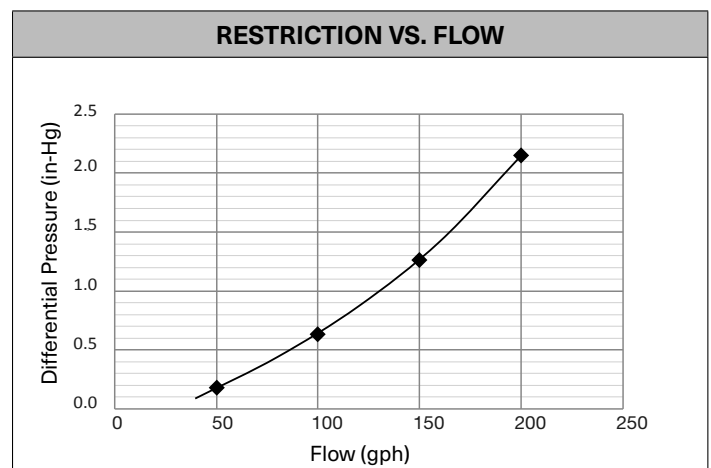
MOUNTING HOLE OPENINGS: .43 [11]



SPECIFICATIONS	
Height, Overall	15.30 (388.6 mm)
Depth, Overall	6.58 inches (167.1 mm)
Width, Maximum	6.3 inches (160 mm)
Mount Bracket Centers	5.91 inches (150 mm)
Weight, Dry	Approx. 8-12 lbs
Recommended Minimum Service Height	3.5 inches (38.1mm)
Max Fuel Flow	180 gph
Pre-heater	12VDC, 150W
Overnight heater	120VAC, 95W

PORT INTERFACE	
Fuel In Connection	M22x 1.5-6H
Fuel Out Connection	M22x 1.5-6H

FILTRATION PERFORMANCE AT 174 GPH		
Micron	Emulsified Water Removal	SAE J1488 is 96.9%
10	Dirt Holding Capacity	89 grams



⚠ IMPORTANT SAFETY PRECAUTIONS

General Safety Precautions

- **FOR USE WITH DIESEL FUEL ONLY**
- To avoid serious injury or death, follow the safety information in this document.
- Keep this manual. If you need to replace the manual, call customer service at 800-328-2611 or visit www.davco.com for a replacement.
- Refer to appropriate regulations for environmental and workplace safety rules.

WARNING: To prevent personal injury

- **Scalding hazard:** When diesel fuel is circulated through an operating engine, it can become very hot. Do not allow fuel to come in contact with eyes or unprotected skin. Allow the engine and fuel to cool to ambient temperature before replacing the fuel filter or performing service operations which could result in spillage of fuel from the fuel system.
- **Fire Prevention:** Heated fuel can form combustible vapor mixtures in the area around the fuel source. To eliminate the potential for fire, keep open flames, sparks or other potential ignition sources away from the work area. Do not smoke during filter replacement or service operations.
- **Inhalation Precaution:** Always perform engine or vehicle fuel system maintenance in a well ventilated area that is kept free of bystanders.
- The ignition key must be in the **off** position, unless otherwise directed. To avoid unintentional engine startup, use a lockout key and/or signage to alert personnel that work is being performed.
- Do not energize the pre-heater outside of the Fuel Pro. It can become very hot.

Government Regulations

- Engine fluids (oil, fuel, and coolant) may be a hazard to human health and the environment. Handle all fluids and other contaminated materials (such as filters and rags) in accordance with applicable regulations. Recycle or dispose of engine fluids, filters, and other contaminated materials according to applicable regulations.

INSTALLATION INSTRUCTIONS

Installation Location

The Fuel Pro must be installed between the fuel tank and the fuel transfer pump. In some cases, the Fuel Pro can be used as the only fuel filter in the system. This is generally dependent on the engine model year. Consult the engine manufacturer for their recommendation.

- **Do not install the Fuel Pro directly on the engine.**
- Mount vertically with the cover and element pointing up.
- Make sure there is enough top and side clearance for the cover to be conveniently removed for filter replacement (3.5" minimum).
- The Fuel Pro **MUST** be installed so that the filter element is above the "FULL" level of the fuel tank. If mounted below full tank level, a shut off valve will be required at the inlet to allow filter changes without overflow of fuel.

⚠ **The ignition key must be in the off position. To avoid unintentional engine startup, use a lockout key and/or signage to alert personnel that work is being performed. Chock the wheels.**

1. With the engine shut down and at ambient temperature, close the fuel shutoff valve (if equipped) and place a suitable container under the fuel filters.
2. Drain and remove the primary fuel filter element assembly, sedimentor, and/or water separator. Dispose of it in an environmentally responsible manner.
3. Mount the Fuel Pro in the desired location using $\frac{3}{8}$ " Grade 8 bolts.

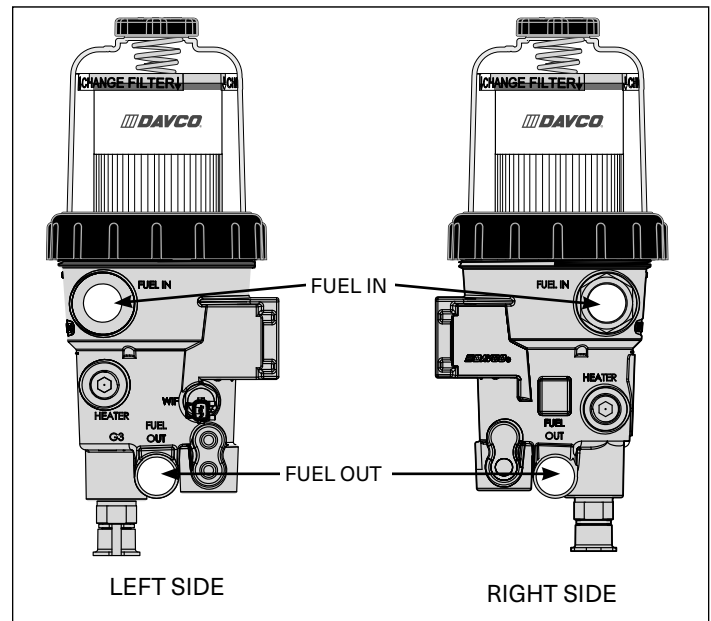
Painting Precautions

The collar/cover joint and threads are designed to be free of paint in order to function properly. The cover and collar assembly must be completely masked off if the Fuel Pro is to be painted.

Fuel Line Routing

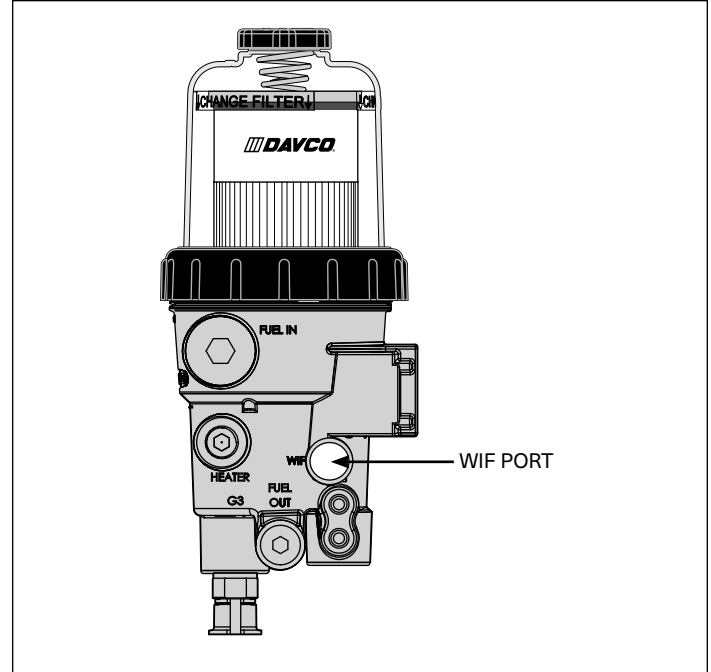
To minimize fuel system restriction, observe the following guidelines when plumbing the fuel system:

- Keep the fuel line routing as smooth as possible with no low-hanging loops which can trap water.
 - Use 90° elbows only when necessary.
 - If the fuel hoses are cut to length on site, be sure that the inner liner of the fuel hose is not cut by the fitting, which can cause check valve performance issues. Make sure hoses are clean and free of debris before installing.
 - To avoid damaging the aluminum Fuel Pro body, do not over-tighten fuel lines or fuel line fittings.
1. Route the fuel supply line from the pick up on the fuel tank to the Fuel Pro inlet (labeled "FUEL IN" on the housing).
 2. Route the fuel outlet line from the Fuel Pro outlet (labeled "FUEL OUT" on the housing) to the inlet of the fuel pump.



WATER-IN-FUEL (WIF) SENSOR INSTALLATION

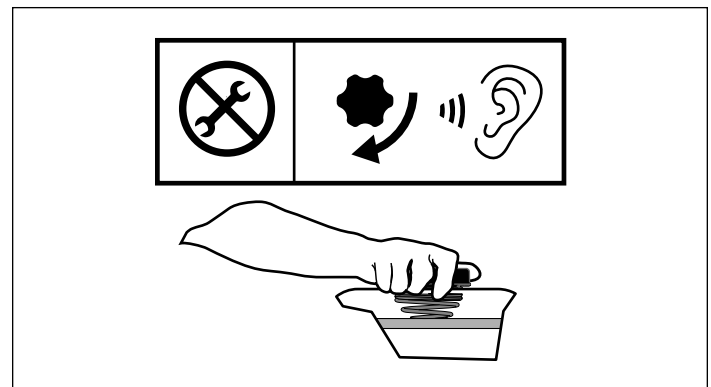
1. Remove the vent cap. Open the drain valve. Drain the Fuel Pro completely. Close the drain valve. The fuel can be reused after the installation.
2. Remove the WIF or the plug.
3. Install the WIF into the WIF port. Torque to 45-60 in.-lb.
4. Prime the Fuel Pro and check for leaks.



PRIMING THE FUEL SYSTEM

1. Ensure that the drain valve at the base of the Fuel Pro is closed.
2. Remove the vent cap from the top of the clear cover. Fill the Fuel Pro with clean fuel. Install the vent cap and tighten it by hand until it clicks.
3. Start the engine. When the lubrication system reaches its normal operating pressure increase the engine RPM to high idle for one to two minutes.

After the air is purged **and while the engine is at idle**, loosen the vent cap and let the fuel level drop to just above the collar, then tighten the vent cap by hand until it clicks.

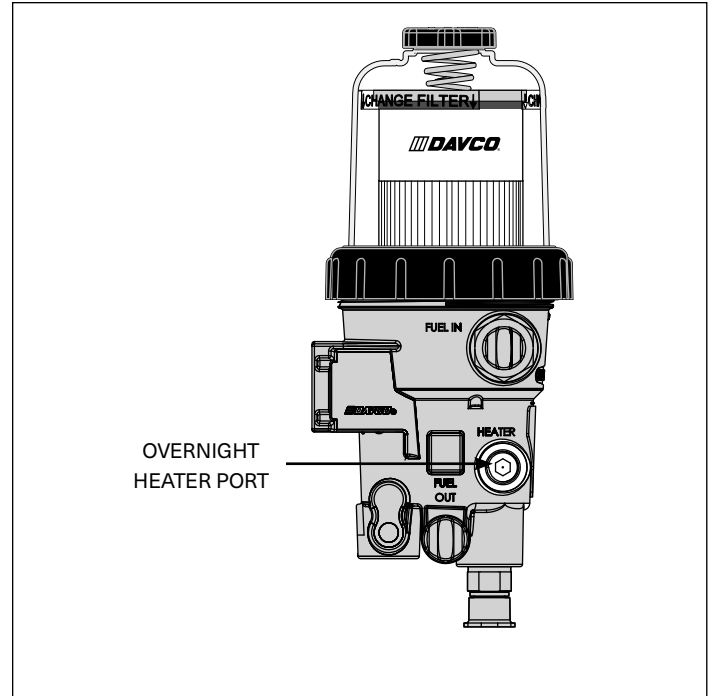


It is normal for the fuel level to vary after the initial start-up and during engine operation. Filter performance is not affected.

120VAC OVERNIGHT HEATER INSTALLATION

The 120VAC overnight heater is installed in the bottom of the Fuel Pro.

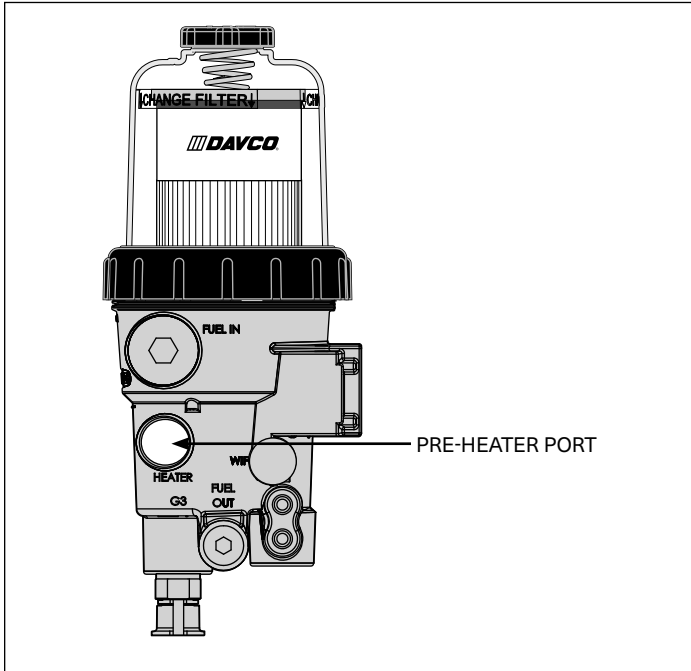
1. Remove the vent cap. Open the drain valve. Drain the Fuel Pro completely. Close the drain valve. The fuel can be reused after the installation.
2. Remove the overnight heater or plug from the heater port.
3. Apply liquid or paste type thread sealant to the heater threads and install the heater into the 120VAC overnight heater port on the Fuel Pro. Torque to 15-30 ft-lb.
4. Connect the "Y" cord to the overnight heater. Connect the other end of the harness to the engine block heater. Connect the cord to a 120VAC output location on the truck (usually located below the driver's door).
5. Prime the Fuel Pro (see page 6) and check for leaks.



The 120VAC Overnight Heater eliminates wax in cold weather.

12 PRE-HEATER INSTALLATION

The Fuel Pro 385 12VDC electric pre-heater is installed in the side of the housing.

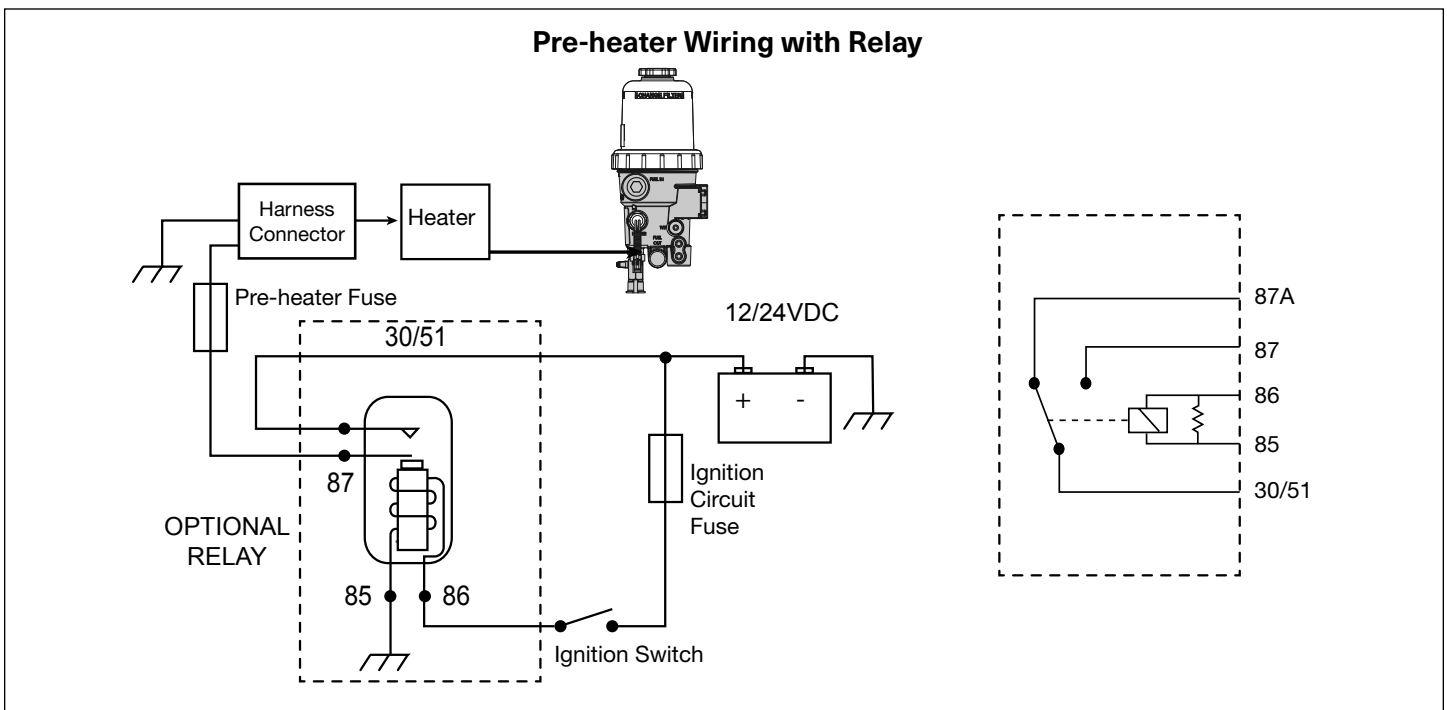


1. Remove the vent cap. Open the drain valve and drain the Fuel Pro completely.
2. Remove the plug or pre-heater from the Fuel Pro.
3. Apply liquid or paste type thread sealant to the pre-heater threads and install into the heater port. Torque to 15-30 ft-lb.
4. Prime the Fuel Pro (see page 6) and check for leaks.
5. Connect the chassis harness to the pre-heater harness.
6. Connect the power lead to the fused accessory side of the ignition switch. The fuse rating depends on the pre-heater installed.

Approved fuse ratings

The voltage and wattage ratings are stamped on the hex of the pre-heater for identification purposes.

- 12VDC System:
 - 25 amp fuse for a 150W PTC pre-heater
- If the keyed circuit will not handle the required amperage for the pre-heater, install a relay as shown below.



VISUAL DIAGNOSTICS-AIR VS. VAPOR BUBBLES

There are two kinds of bubbles that may be visible at the fuel pump inlet of a diesel fuel system. The bubbles can be characterized as either air bubbles or vapor bubbles.

Air Bubbles

Air bubbles are caused by any air leak on the vacuum (suction) side of the fuel system from the fuel tank pick-up to, and including the lift pump (see Figure 1).

If there is an air leak in the fuel system, air bubbles will be present in the clear cover of the Fuel Pro. Follow test procedures outlined in "Diagnostic Procedures for Air Leaks" (see page 10) for air leak diagnostics. If there are no bubbles present in the Fuel Pro cover and the engine continues to run rough, lopes or has a loss of power, there may be an air leak between the Fuel Pro outlet port and lift pump inlet. This type of air bubble can be seen if a sight tube is installed at the lift pump inlet. Air bubbles may also be visible in the fuel return (spill) hose out of the fuel gallery. These leaks are easily eliminated by checking and torquing the fuel fittings in the area of the leak.

TEST 1: A quick procedure to determine if the air leak is between the fuel tank and the Fuel Pro is to remove the Fuel Pro inlet hose and route a new hose from the Fuel Pro inlet into a container of fuel or the fuel tank fill cap opening. Start the engine and check for bubbles.

If there are no air leak symptoms, but bubbles are present in a sight tube at the fuel lift pump inlet, they are most likely vapor bubbles.

Vapor Bubbles

All diesel fuel has some level of entrained air caused by the natural splashing that occurs in the fuel tank during normal vehicle or equipment operation. Vapor bubbles develop in the Fuel Pro because the pressure inside the Fuel Pro is lower than the atmospheric pressure in the fuel tank. Vapor bubbles can vary from champagne size up to ¼" in diameter. They may increase in size or volume as engine RPM increases. The lower pressure draws the entrained air/vapor out of the fuel and these bubbles will be visible as the fuel exits the Fuel Pro (see Figure 2). As the fuel enters the lift pump, it is pressurized and the bubbles are compressed back into the fuel. There will be no bubbles on the fuel return side of the system. These vapor bubbles will not affect the performance of the engine.

TEST 2: An easy way to determine the difference between vapor and air bubbles is by temporarily removing the filter element from the Fuel Pro. Fill the cover with clean diesel fuel, replace the vent cap and re-run the outlet fitting sight glass test. If there are no bubbles visible in the sight glass, then the bubbles that were previously visible were vapor bubbles. If bubbles are still present then they are air. If air bubbles still exist, re-run the test in **TEST 1** to eliminate the chassis plumbing as a variable.

There is no troubleshooting or repair procedure required for vapor bubbles. Vapor bubbles do not cause performance issues and will not be present after the lift pump.

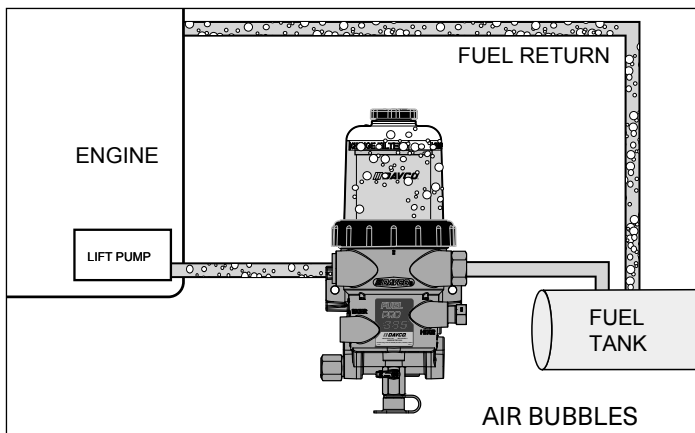


Figure 1

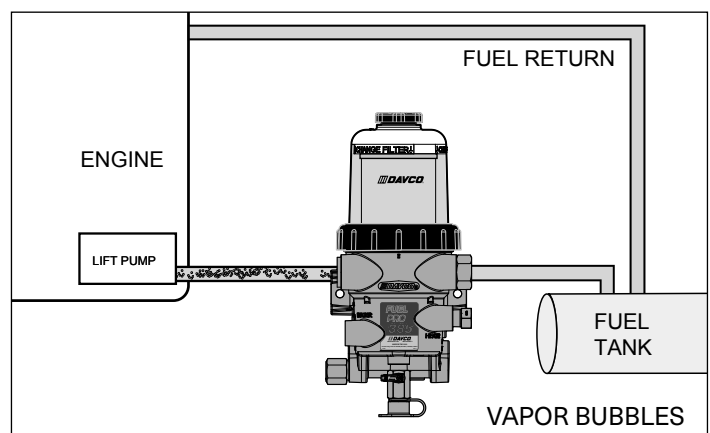


Figure 2

DIAGNOSTIC PROCEDURES FOR AIR LEAKS

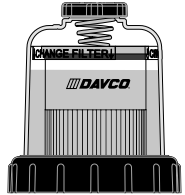

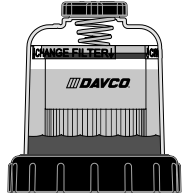
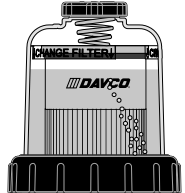
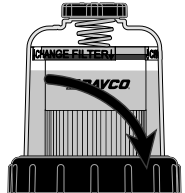
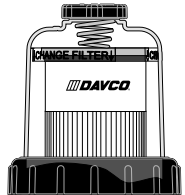
Every Fuel Pro is factory tested for leaks and is identified with a traceable number prior to shipment. Most field issues associated with leaks are related to loose fittings. These leaks are easily eliminated by checking and torquing the fuel fittings in the area of the leak. Some fittings may also require the application of liquid or paste type thread sealant.

All suction side fuel filters experience bubbles. It is normal to see champagne size bubbles in the Fuel Pro cover, at the Fuel Pro outlet or at the lift pump.

IN ORDER TO RETURN A FUEL PRO FOR EVALUATION, THE FOLLOWING PROCEDURES/TESTS MUST BE COMPLETED BEFORE REQUESTING A DAVCO RGA (RETURN GOODS AUTHORIZATION) NUMBER.

- I. Air bubbles will be visible in the clear cover of the Fuel Pro if the leak originates between the fuel tank and the Fuel Pro. The following is a quick test to isolate the air leak source.
 - A. Remove the Fuel Pro inlet hose.
 1. Install a jumper hose from the Fuel Pro to the fuel tank (through the fill cap) or to a container of fuel.
 2. Start the engine. If this eliminates the air bubbles, the air source is at the fuel tank fittings or hose connections.
 3. Tighten all fittings and connectors. Retest.
 - a. If air bubbles persist, the air source is on the Fuel Pro side of the system:
 - i. Tighten all fittings on the Fuel Pro.
 - ii. Loosen the collar until it spins freely. Apply downward pressure on the top of the cover and rotate the collar until contact. Use a DAVCO wrench (if necessary) to tighten the collar three additional ribs.
 - b. If the drain valve is suspected, install a plug in place of the drain valve (for test purposes only).
4. If air bubbles persist, test as follows:
 - a. Remove the Fuel Pro from the chassis.
 - b. Plug the fuel outlet port. Do not remove filter, cover/collar, vent cap, drain valve and/or check valve. If the Fuel Pro is equipped with a pre-heater, do not remove the pre-heater.
 - c. Apply 15 PSI of air pressure at the fuel inlet. Immerse the Fuel Pro in a tank of water and look for air bubbles.
 - d. Correct the source of the air leak and retest.
- II. Bubbles Not Visible: If there are symptoms of sucking air (indicated by engine loping/rough running performance/power loss, etc.) and there are no bubbles in the clear cover, the air leak is either at the Fuel Pro outlet fitting, vent cap o-ring, the lift pump inlet connection, or the fuel hose/connections to the lift pump. Inspect and tighten fittings as needed.
- III. Excessive Restriction: If the fuel level is at the top of the filter, replace the fuel filter. The Fuel Pro will not cause excess system restriction if the fuel level is below the top of the filter. The only exception is if the grommet is not installed in the bottom of the filter element.
- IV. Loss of Prime: When air is introduced into the fuel system, (i.e. draining water from the Fuel Pro or when replacing the fuel filter) a check valve is needed to keep the fuel system primed from the Fuel Pro back to the fuel tank. A check valve is standard with every Fuel Pro.
- V. To test for proper check valve operation, place a drain pan under the Fuel Pro, remove the fuel inlet hose and open the vent cap. Fuel should not flow out of the Fuel Pro, although slight seepage of fuel is normal. If fuel flows out of the Fuel Pro fuel inlet, (see "Check Valve Service" on 12) .

VISUAL DIAGNOSTICS WITH CLEAR COVER

<p>Fuel level is not at the top of the fuel filter. → Normal-Do not change the filter.</p>	
<p>Fuel level is at the top of the filter. Low power. → Change the filter at the first available opportunity.</p>	
<p>Water is noticed in the cover. → Drain the water.</p>	
<p>Bubbles are seen flowing in with the fuel. → Check all fittings and lines from the fuel tank to the Diesel Pro. Check the cover and vent cap o-rings.</p>	
<p>Fuel drains back to the fuel tank when changing the fuel filter or draining separator. → Remove the check valve assembly. Clean or replace and retest. Check air leaks in the fuel system.</p>	
<p>There is a power complaint and the fuel level is below the collar. → Check for a missing grommet at the lower end of the filter or missing/broken spring at top of filter.</p>	

DIAGNOSTIC PROCEDURES FOR PRE-HEATER

PTC Pre-heater Testing Procedures

⚠ **Do not energize pre-heater/heater outside of the Diesel Pro. Caution! Very hot.**

Equipment Needed: A precision low resistance ohm meter capable of measuring with accuracy to two decimal places.

12VDC / 24VDC PTC heater with thermostatic switch continuity test (heaters sold after ~ 9/2024):

1. Disconnect chassis harness from the heater/thermostati switch.
2. Using one of the cooling methods listed in the equipment required section, reduce the temperature of the thermostatic switch to below 26° F.
3. Connect ohmmeter leads to the pre-heater pins. Use Table 1 to determine whether the pre-heater resistance value is in the acceptable range.
4. Using one of the pre-heating devices listed in the equipment required section, raise the pre-heater temperature to 85°F. The ohm meter should read “open circuit”

PTC Pre-heater w/ thermostatic switch	Watts	Resistance Range (ohms)
12VDC (two pin)	150	0.6 to 1.4
24VDC (two pin)	135	2.0 to 6.0

Table 1. Acceptable resistance across pins in “on” condition 12VDC/24VDC PTC heater (without thermostatic switch) continuity test (heaters sold ~2015 to ~8/2024):

1. Disconnect chasis harness from the heater.
2. Connect ohmmeter leads to heater pins. Use Table 2 to determine whether the pre-heater resistance value is in the acceptable range.

PTC Pre-heater	Watts	Resistance Range (ohms)
12VDC (two pin)	155	0.90 to 1.2 @ 77°F
12VDC (two pin)	195	0.4 to 0.6 @ 77°F
24VDC (PTC)	195	2.0-3.0 @ 77°F

Table2. Acceptable resistance across pins

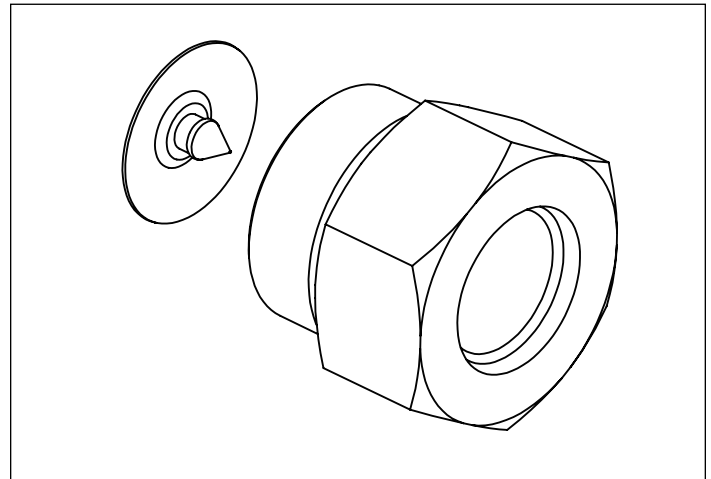
CHECK VALVE SERVICE

To test for proper check valve operation, place a drain pan under the Fuel Pro, remove the fuel inlet hose and open the vent cap. Fuel should not flow out of the Fuel Pro, although slight seepage of fuel is normal. If fuel flows out of the Fuel Pro fuel inlet:

1. Remove the vent cap. Open the drain valve. Drain the fuel. Close the drain valve. The fuel can be reused after the installation.
2. Remove the check valve fitting. Inspect the fitting and the umbrella valve. Refer to the table below for part numbers.

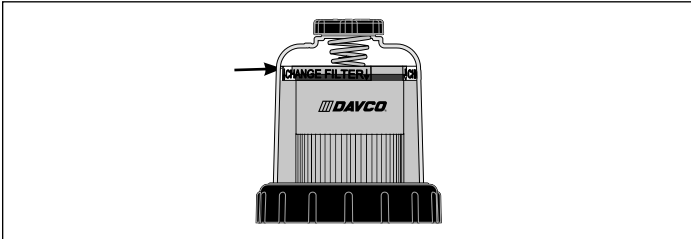
385010DAV	Check Valve Assembly M22 (Includes Body and Umbrella Valve)
240003DAV	Umbrella Valve

3. Torque the Check Valve: 25-50 ft.lb.
4. Refill and prime the Fuel Pro.



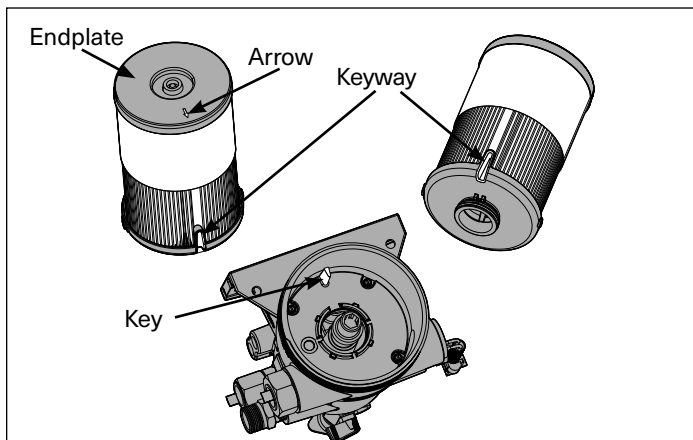
FILTER CHANGE PROCEDURE

Change the filter when the fuel reaches the top of the “CHANGE FILTER” lettering on the cover.

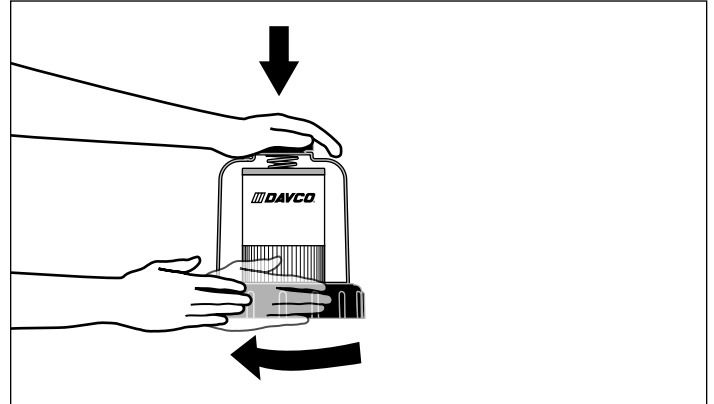


For filter selection visit www.davco.com for the correct filter for your application or call DAVCO Customer Service at 800-328-2611.

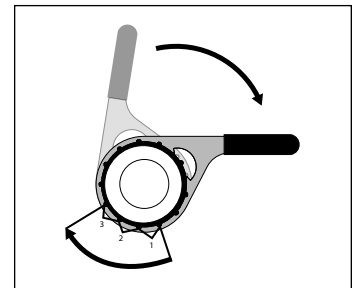
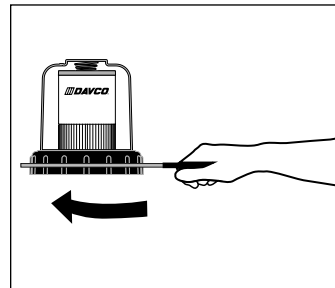
1. Turn off the engine. Remove the vent cap and dispose of the o-ring. Clean the threads of the vent cap and on the top of the cover. Set the vent cap aside.
2. Open the drain valve and drain the fuel completely from the unit, then close the drain valve.
3. Using the Collar Wrench, loosen the collar.
4. Remove the clear cover and collar from the Fuel Pro. Discard the cover o-ring and install a new o-ring (supplied with the filter) on the cover. Clean the threads on the collar and the body.
5. Install the new o-ring on vent cap (supplied with the filter).
6. Remove the filter element by pulling upward. Install the new filter element. Position the filter element so the key is lined up with the keyway on the separator plate of the housing. Use the arrow on the top of the endplate to align the filter. Ensure the filter element is fully seated by firmly pushing on the endplate. The filter should not rotate freely.



7. After checking to make sure the new o-ring seal is seated correctly on the base of the cover, install the cover and collar.
8. Apply downward pressure on the top of the cover and rotate the collar until contact.



9. Use a DAVCO collar wrench (if necessary) to tighten the collar three additional ribs.



10. Prime the Fuel Pro (see page 6) and check for leaks.

It is normal for the fuel level to vary after the initial start-up and during engine operation. Filter performance is not affected.

PREVENTATIVE MAINTENANCE

Environmental Concerns and Seasonal Maintenance

- Steam clean the Fuel Pro with fresh water regularly to keep corrosive salt or dirt from building up on the housing, cover, and collar.
- Extreme winter or salt corrosion environments may require lubrication of the collar with anti-seize lubricant every 180 days.

Weekly water drains

1. Turn off the engine and remove the vent cap.
2. Place a suitable container under the Fuel Pro and open the drain valve.
3. Collected water will flow into the container. When fuel begins to flow out the drain, close the drain valve. Drain the least amount of fuel as possible.
4. Install the vent cap and tighten it by hand until it clicks.
5. Start the engine and raise the RPM for one minute to purge the air from the system.

During each filter change

- Change the o-rings on the cover and vent cap (included with the service filter kit).

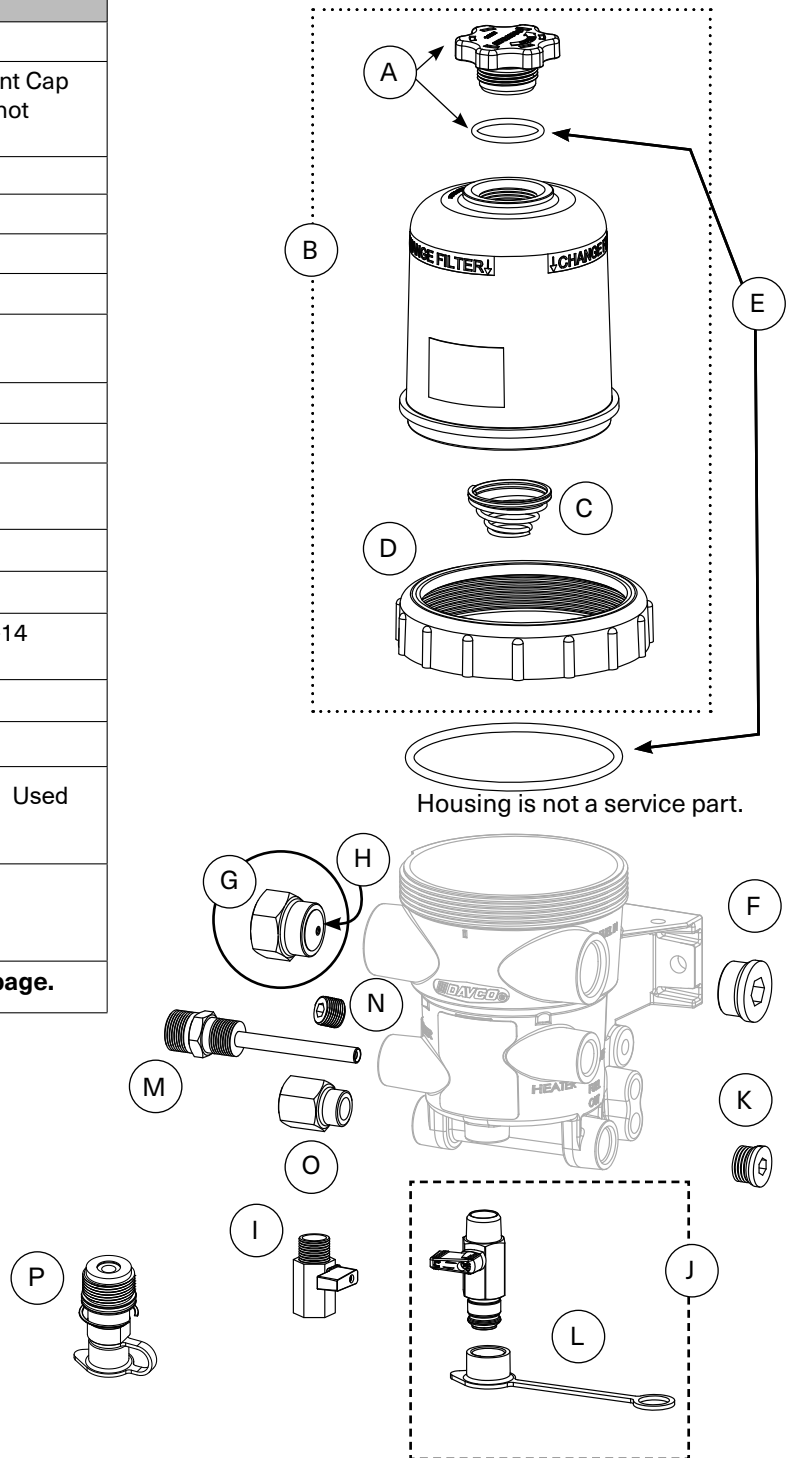
Annual inspection

- Inspect all electrical connections and housing for corrosion.
- Inspect all fuel fittings for leaks.
- Inspect the Fuel Pro for damage or signs of leaks.

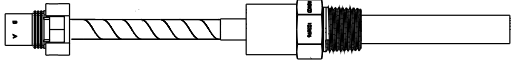
SERVICE PART NUMBERS

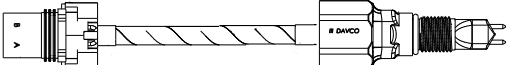
SERVICE PARTS AND KITS		
A	240023DAV	Vent Cap Service Kit
B	385044DAV	Cover Service Kit (Collar, Spring, Vent Cap and Vent Cap O-ring - Collar o-ring not included)
C	380056DAV	Filter Spring
D	102425DAV	Collar
E	380072DAV	O-Ring Service Kit, Vent Cap/Cover
F	385002DAV	Plug (Fuel-In)
G	385010DAV	Check Valve Assembly M22 (Includes Body and Umbrella Valve)
H	240003DAV	Umbrella Valve
I	102008DAV	Drain Valve (Threads: ½"-14 NPT)
J	103603DAV	Combination Drain Kit (includes drain, dust cap and plug)
K	102821SDAV	Plug 7/8"-14 (Fuel Out)
L	102712DAV	Dust Cap for Drain
M	103473DAV	120VAC 75W Overnight Heater, ½"-14 NPTF Threads (Was 102145DAV)
N	020909	Plug
O	245011DAV	Port Adapter 7/8"-14 to M22
P	385125DAV	Second Generation Drain Valve - Used on units after 5/2022

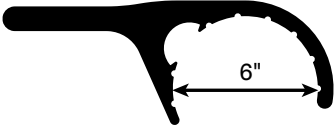
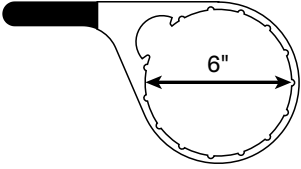
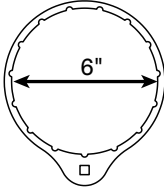
Wrenches, WIFs, and heaters are on the following page.



SERVICE PART NUMBERS

PRE-HEATERS		
103708DAV	12VDC 195W PTC Pre-heater, Metri-Pack Connector, ½"-14 NPTF Threads, Harness Length 19.81" (Was 103528DAV)	

WATER-IN-FUEL (WIF) SENSOR		
103805DAV	Two Pin WIF, Metri-Pack Connector, ½"-20 UNF Threads, Harness Length 6.50" (Freightliner) (Was 102770DAV)	

DAVCO COLLAR WRENCHES FOR FUEL PRO MODELS		
Composite Wrench	Metal Wrench with Handle	Heavy Duty Wrench, ⅜" thick. Use with a ⅜" socket wrench drive.
		
P/N 380134DAV	P/N 382002DAV	P/N 382152DAV



A Clarience Technologies Company

FUEL PRO® 385 TECHNICAL MANUAL

WARRANTY POLICY

Please review DAVCO's Product Warranty terms and conditions carefully before installing and/or using a DAVCO product.

Diesel Pro® 24X Series, Fuel Pro® 38X, 48X, 49X Series, Industrial Pro®, Pro-Chek®, Sea Pro®

DAVCO Technology, LLC warrants these products to be free of defects in material and workmanship for five years, 500,000 miles or 10,000 hours (whichever comes first) and electrical parts for two-years, 200,000 miles or 4,000 hours (whichever comes first) from the purchase date*.

Shop Pro®

DAVCO Technology, LLC warrants the Shop Pro (except for the motor) to be free of defects in material and workmanship for two years from the date of purchase. The Shop Pro motor is warranted for one year from date of purchase.

Fuel Pro® 384

DAVCO Technology, LLC warrants these products to be free of defects in material and workmanship for two-years or 200,000 miles (whichever comes first) from the purchase date.

By installing and/or using the product, you agree to be bound by the following:

This Warranty does not apply to:

- Failure or inadequate performance due to improper installation, misuse, misapplication, faulty installation, alteration/modification, poor maintenance, neglect, accident, or conditions resulting from actions outside DAVCO's control, including but not limited to the use of contaminated, corrosive, and unapproved fluids.
- Downtime, loss of use, loss of profits or income, loss of capital, cost of substitute equipment, living expenses, claims by purchaser's customers or other third parties, or other incidental, special or consequential damages.
- Attachments, accessory items, and parts not manufactured or distributed by DAVCO.
- Any aftermarket or OEM component not approved specifically to work with a DAVCO manufactured product
- Product that has been installed with aftermarket parts or altered or modified in any way.
- Normal wear and tear, abuse, vandalism, acts of God, improper storage or handling, disasters such as flood, fire, or war, failure to operate, maintain or repair in accordance with instructions, or failure to repair the vehicle into which the product is installed in accordance with the vehicle manufacturer's instructions or common maintenance practices.

This warranty is the sole warranty made by DAVCO. DAVCO makes no other warranties, expressed or implied, of merchantability or fitness for a particular purpose.

In the unlikely event of a defective product, DAVCO will either rework the defective product or replace it at DAVCO's discretion. If you feel you have a warrantable issue, contact DAVCO at 800-328-2611 for a Return Goods Authorization (RGA) number **. An RGA number is required prior to the return of any product.

* Purchase Date: The date of the first retail purchase of a new vehicle or piece of equipment from the OEM dealer or factory. For "Over the Counter" purchase: The date of sale to the first retail customer.

**Products submitted for Warranty consideration will be inspected by DAVCO personnel. Re-work or replacement will be based on DAVCO's Warranty procedure and/or the results of their evaluation. DAVCO's Warranty Program does not in any way constitute a product guarantee.



A Clarience Technologies Company

PARTS RETURN POLICY

Parts Return General Policy

A Return Goods Authorization (RGA) must be obtained from DAVCO prior to returning any products. Returns may be accepted under the following circumstances:

- **Order Shipping Error:** A credit against the original invoice, including freight charges for both ways will be issued for returns in which DAVCO inadvertently shipped incorrect quantity or product.
- **Overstock:** Returns for ordering more product(s) than required, or incorrect part(s), will be accepted within 60 days from the date of purchase. Proof of purchase will be required, i.e.: original invoice/delivery receipt. These types of return(s) are subject to a minimum restock fee of 40% or \$40.00, whichever is higher. Additional restock fees may apply. Product(s) will be inspected for "like new" condition and additional costs will be the responsibility of the customer. No obsolete parts may be returned.
- **Freight charges for return(s)** will be the responsibility of the customer.

