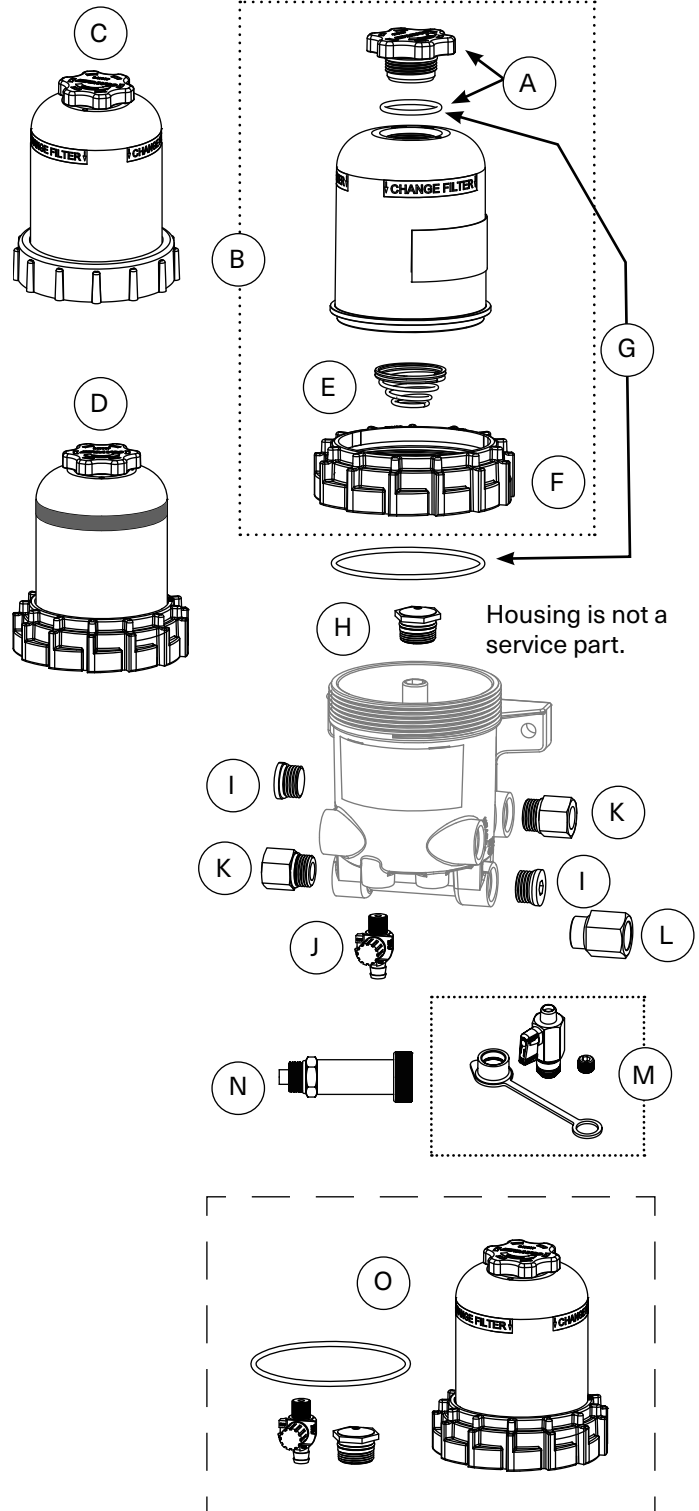
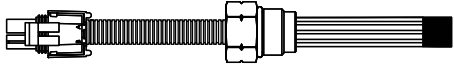
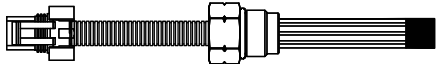
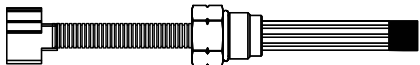
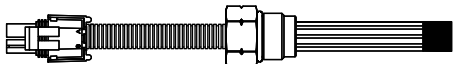
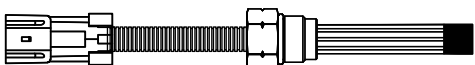
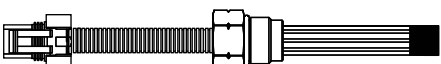
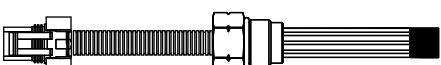
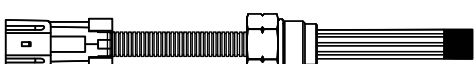
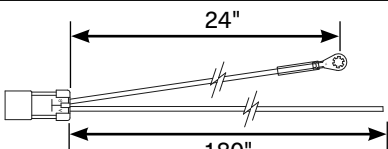
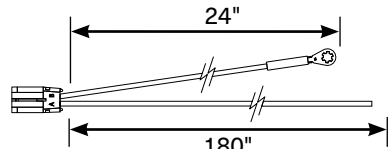
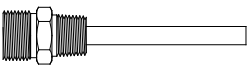
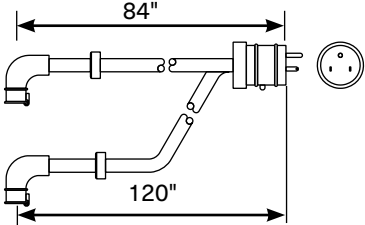
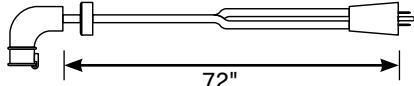








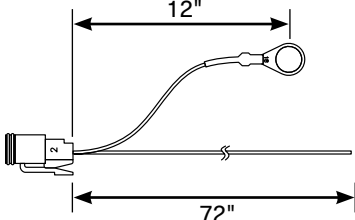
| SERVICE PARTS AND KITS |            |  |
|------------------------|------------|--|
| A                      | 240023DAV  | Vent Cap Service Kit (vent cap and o-ring)   |
| B                      | 243013SDAV | Cover Service Kit (Collar, Spring, Vent Cap and Vent Cap O-ring - Collar o-ring not included)  |
| C                      | 243011DAV  | Cover Service Kit for Hino only (Collar, Spring, Vent Cap and Vent Cap O-ring - Collar o-ring not included)  |
| D                      | 243017DAV  | Cover with Red Stripe (Collar, Spring, Vent Cap and Vent Cap O-ring - Collar o-ring not included)  |
| E                      | 380056DAV  | Filter Spring  |
| F                      | 240002SDAV | Collar   |
| G                      | 232009DAV  | O-ring Service Kit (Vent Cap/Collar)   |
| H                      | 240033DAV  | Check Valve  |
| I                      | 102821SDAV | Plug 7/8"-14   |
| J                      | 101332DAV  | Drain Valve (Threads 1/4"-18 NPT)  |
| K                      | 102825DAV  | Bushing 7/8"-14 to 1/2"-14 NPTF (required for installation of 120VAC Overnight heater if an Overnight heater was not previously installed)   |
| L                      | 102820SDAV | Bushing 7/8"-14 to 3/8"-18 NPTF (required for installation of 120VAC Overnight heater if an Overnight heater was not previously installed)   |
| M                      | 103604DAV  | Combination Drain Kit (Includes drain, dust cap and plug, for use on units with cover with red stripe. Part number for unit contains an "E". Replaces ESOC fitting 102844, except on Freightliner Trucks.) |
| N                      | 102822DAV  | Priming Pump   |
| O                      | 243035DAV  | Rebuild Kit Includes: Cover Service Kit (Item B) Check Valve, Drain Valve, and Instructions  |

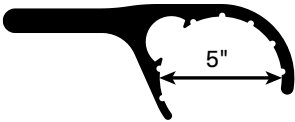
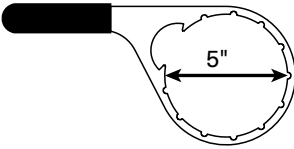
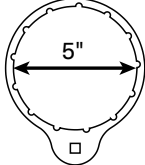
**Pre-heater, Overnight Heater, Wrench, and Water in Fuel Sensor (WIF) information is on the following pages.**



| PRE-HEATER PARTS |   |  |
|------------------|---|--|
| 103525DAV        | 12VDC 195W PTC Pre-heater, Weather Pack Connector, 7/8"-14 UNF Threads, Harness Length 7.50"              |   |
| 103526DAV        | 12VDC 195W PTC Pre-heater, Metri-Pack Connector, 7/8"-14 UNF Threads, Harness Length 7.50"                |   |
| 103527DAV        | 12VC 195W PTC Pre-heater, Yazaki Connector, 7/8"-14 UNF Threads, Harness Length 30.41" (Hino)             |   |
| 103540DAV        | 24VDC 195W PTC Pre-heater, Male Weather Pack Connector, 7/8"-14 UNF Threads, Harness Length 7.50"         |   |
| 103552DAV        | 12VDC 195W PTC Pre-heater, Metri-Pack Connector, 7/8"-14 UNF Threads, Harness Length 7.50"                |   |
| 103593DAV        | 12VDC 155W PTC Pre-heater, Metri-Pack Connector, 7/8"-14 UNF Threads, Harness Length 17" (Freightliner)   |   |
| 103595DAV        | 12VDC 155W PTC Pre-heater, Metri-Pack Connector, 7/8"-14 UNF Threads, Harness Length 7.50" (Freightliner) |   |
| 103596DAV        | 12VDC 155W PTC Pre-heater, Metri-Pack Connector, 7/8"-14 UNF Threads, Harness Length 7.50" (Freightliner) |  |
| 102376DAV        | Pre-heater Chassis Harness, Metri-Pack Connector, Wire Lengths 24" and 180"                               |  |
| 102220DAV        | Pre-heater Chassis Harness, Weather Pack Connector, Wire Lengths 24" and 180"                             |  |

| OVERNIGHT HEATER PARTS |  |   |
|------------------------|--|---|
| 102145DAV              | 120VAC 75W Overnight Heater, 1/2"-14 Threads<br>(Adapter P/N 102825DAV is also required for new installation of a 120VAC overnight heater) |  |
| 102015DAV              | 120VAC Overnight Heater "Y" Cord, Cord lengths: 84" and 120"   |   |
| 101868DAV              | 120VAC Overnight Heater Straight Cord, 72"   |   |

| WATER-IN-FUEL (WIF) SENSOR PARTS |   |   |
|----------------------------------|---|---|
| 102512DAV                        | Two Pin WIF, Deutsch Connector (gray), ½"-20 UNF Threads, Harness Length 3.36"                                  |  |
| 102521DAV                        | Two Pin WIF, Deutsch Connector (black), ½"-20 UNF Threads, Harness Length 3.36"                                 |  |
| 102483DAV                        | Two Pin WIF, Metri-Pack Connector, ½"-20 UNF Threads, Harness Length 6"   |  |
| 102770DAV                        | Two Pin WIF, Metri-Pack Connector, ½"-20 UNF Threads, Harness Length 6.50" (Freightliner)                       |  |
| 103111DAV                        | Two Pin WIF, Tyco/AMP Connector, ½"-20 UNF Threads, Harness Length 3.25" (Paccar)                               |  |
| 103153DAV                        | Two Pin WIF, Yazaki Connector, ½"-20 UNF Threads, Harness Length 20.94" (Hino)                                  |  |
| 102600DAV                        | Two Pin WIF Wiring Harness<br>(Used with 102512DAV and 102521DAV) Deutsch Connector<br>Wire Lengths 12" and 72" |  |

| COLLAR WRENCHES   |   |   |
|---|---|---|
| P/N 232002DAV   | P/N 232007DAV   | P/N 243030DAV   |
|  |  |  |
| Composite Wrench  | Metal Wrench  | Heavy Duty Wrench, ⅜" thick.<br>Use with a ⅜" socket wrench drive.                    |