

FUEL PRO® 386/387



DAVCO FUEL PRO 386 and 387

provides filtration and fuel water separation for diesel engines with flow rates up to 180 gallons per hour.

Three layer filter design, with filtration to 15 microns, provides enhanced water separation capabilities for ultra-low sulfur diesel fuel with low interfacial tension.

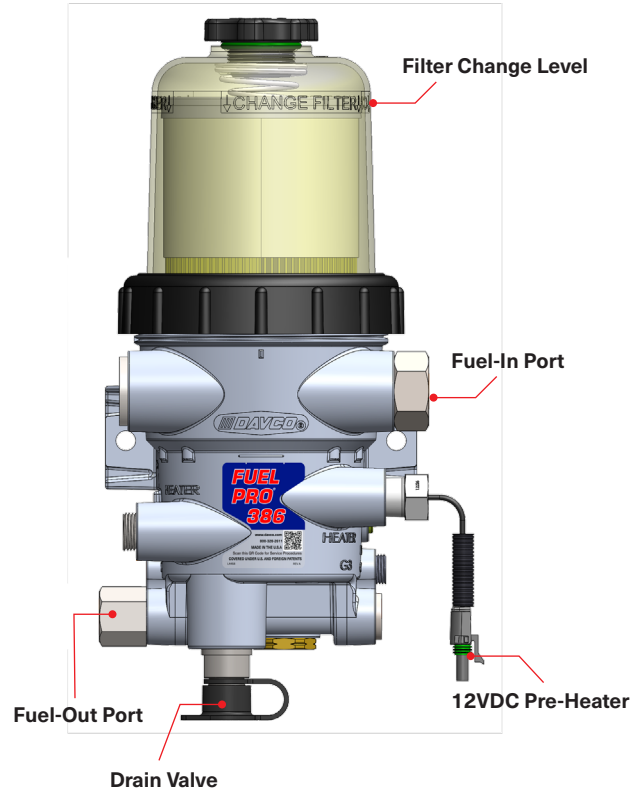
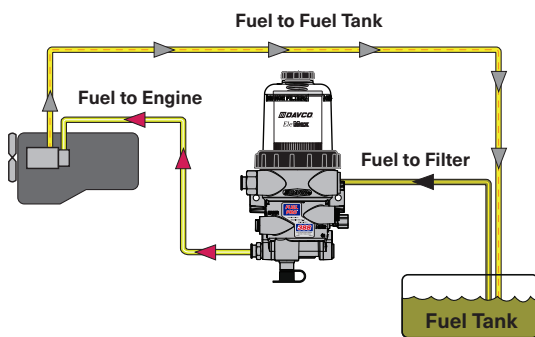
Applications

- Diesel engines with flow rates up to 180 gph

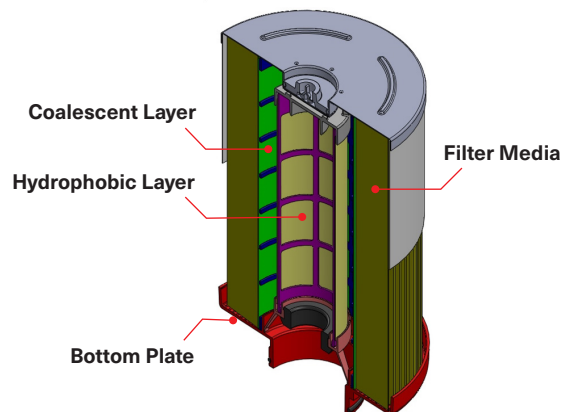
Models and Options

- Fuel Pro 386: Unheated
- Fuel Pro 387: Coolant heat
- 12VDC — uses ignition switch to heat fuel prior to running the engine

Typical Installation



Filter Technology



A Clariance Technologies Company

DAVCO Technology, LLC

1600 Woodland Drive, Saline, MI 48176-1629

800-328-2611

customerservice@davco.com

www.davco.com

FUEL PRO® 386/387

Specifications

Height, Overall, quick connect drain	15.30 (388.6 mm)
Depth, Overall	6.58 inches (167.1 mm)
Width, Maximum	8.10 inches (205.8 mm)
Weight, Dry	Approx. 8-12 lbs
Minimum Service Height	3.5 inches (38.1mm)
Max Fuel Flow	180 gph
Pre-heater	12VDC, 195W

Filtration Performance (15 micron at 174 GPH)

Emulsified Water Removal	SAE J1488 is 96.9%
Dirt Holding Capacity	89 grams

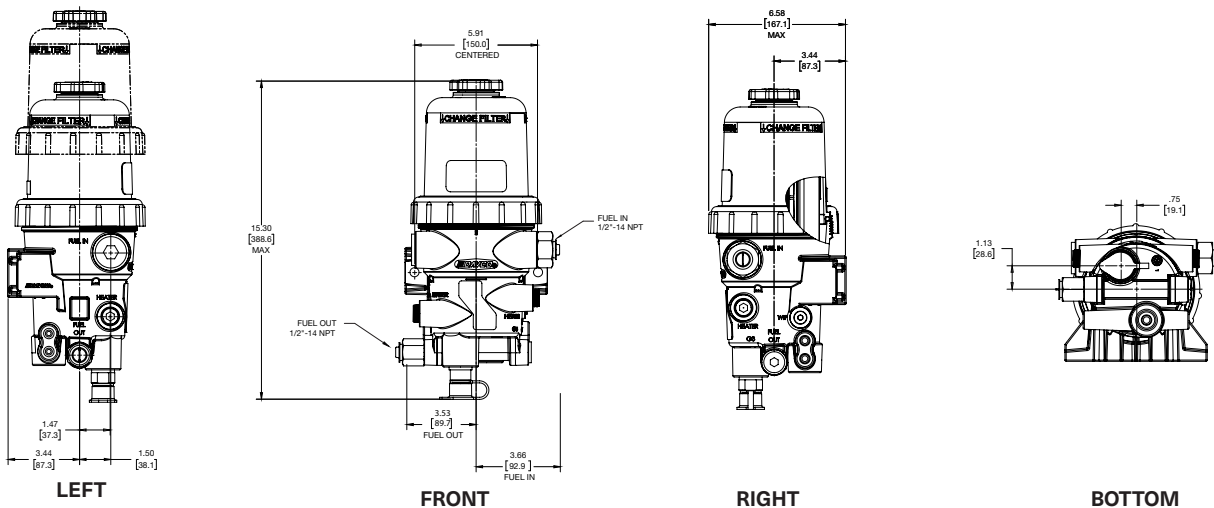
Port Interface

Fuel In	½"-14 NPT
Fuel Out	½"-14 NPT

Dimensions (½"-14 NPT Fuel In/Fuel Out)

Dimensions are in inches [millimeters]

Mounting Hole Distance: 5.91 [150]
Mounting Hole Openings: .43 [11]



Sales Codes

Conventional Models:

DAVCO Part Number	Mack Sales Code	Product Description
386152RLMAK-15	2931031	DAVCO 386 (W/O FLUID HEAT) 12V PREHEAT W/VENDOR PRIMARY
387130RLMAK7-15	2931032	DAVCO 387, (FLUID HTD) FUEL HEATER/WATER SEPARATOR W/VENDOR PRIMARY
387132RLMAK7-15	2931033	DAVCO 387, (FLUID HTD) W/12V PREHEAT W/VENDOR PRIMARY

Cabover Models:

DAVCO Part Number	Mack Sales Code	Product Description
387130RLMAK7-15	2931032	DAVCO 387, (FLUID HTD) FUEL HEATER/WATER SEPARATOR W/VENDOR PRIMARY

DAVCO Technology, LLC

1600 Woodland Drive, Saline, MI 48176-1629
800-328-2611 customerservice@davco.com www.davco.com

F53867-MACK REV A
Updated on 02/15/2022