

# FUEL PRO<sup>®</sup> 386 / 388



**DAVCO FUEL PRO 386 / 388** provides filtration and fuel water separation for diesel engines with flow rates up to 180 gallons per hour.

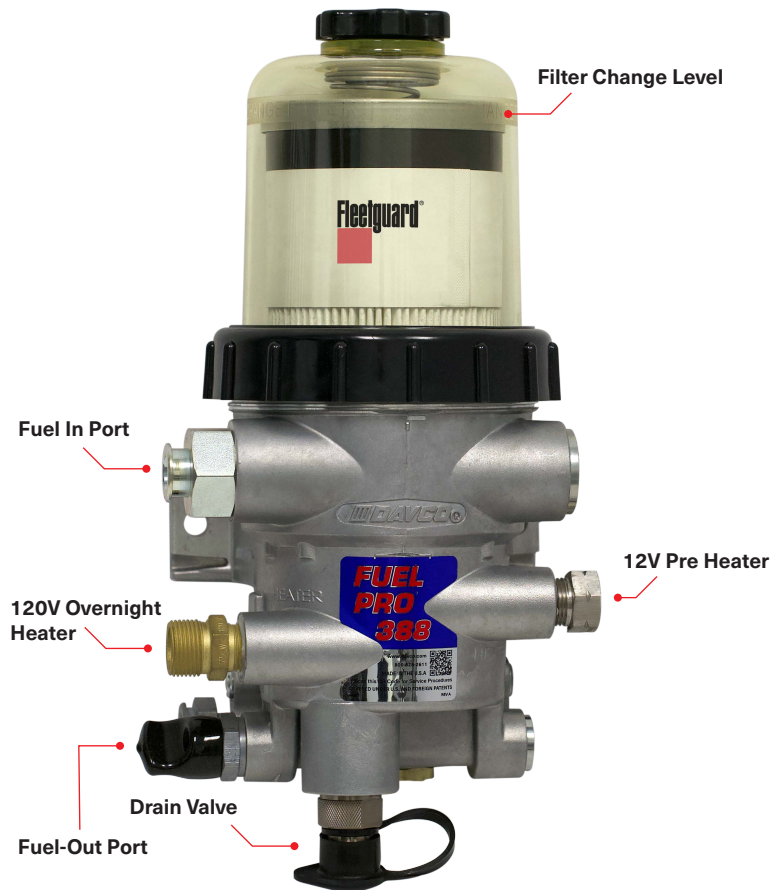
Three layer filter design, with filtration to 10 microns, provides enhanced water separation capabilities for ultra-low sulfur diesel fuel with low interfacial tension.

## Applications

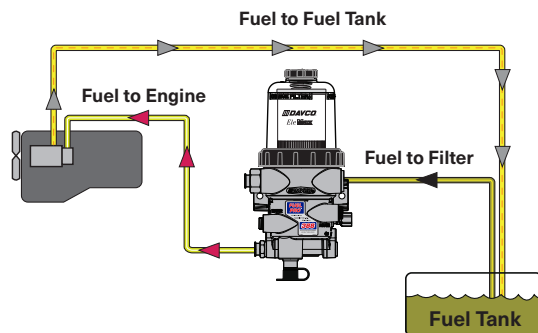
- Diesel engines with flow rates up to 180 gph

## Models and Options

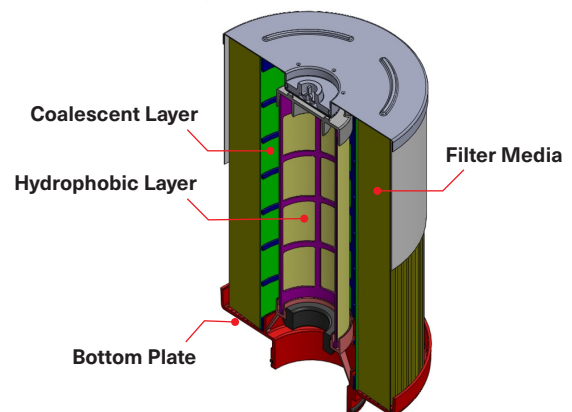
- Fuel Pro 386: Unheated
- Fuel Pro 388: Return fuel heat
- 12VDC — uses ignition switch to heat fuel prior to running the engine
- 120VAC Overnight heater — prevents gelling while parked overnight
- Water-In-Fuel (WIF) sensor



## Typical Installation



## Filter Technology



A **Clariance Technologies** Company

**DAVCO Technology, LLC**

1600 Woodland Drive, Saline, MI 48176-1629

800-328-2611

customerservice@davco.com

www.davco.com

# FUEL PRO® 386 / 388

## Specifications

Height, Overall, quick connect drain	15.30 (388.6 mm)
Depth, Overall	6.58 inches (167.1 mm)
Width, Maximum	8.10 inches (205.8 mm)
Weight, Dry	Approx. 8-12 lbs
Minimum Service Height	3.5 inches (38.1mm)
Max Fuel Flow	180 gph
Pre-heater	12VDC, 195W
Overnight heater	120VAC, 75W

## Filtration Performance (10 micron at 174 GPH)

Emulsified Water Removal	SAE J1488 is 96.9%
Dirt Holding Capacity	89 grams

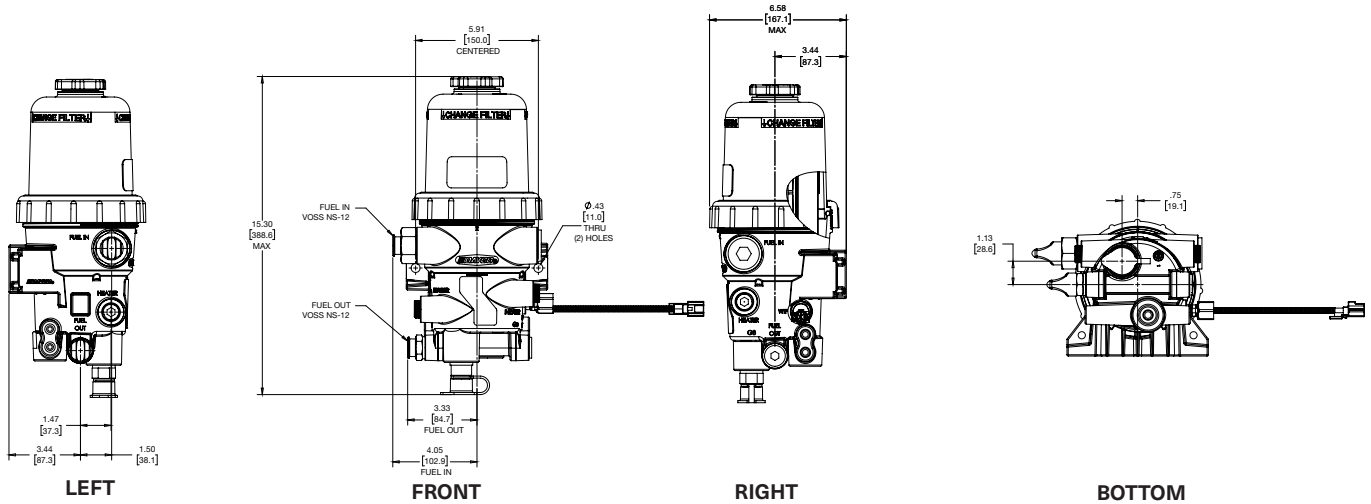
## Port Interface

Fuel In	Voss NS-12
Fuel Out	Voss NS-12

## Dimensions (Voss Fuel In/Fuel Out)

Dimensions are in inches [millimeters]

Mounting Hole Distance: 5.91 [150]  
Mounting Hole Openings: .43 [11]



## Part Numbers for Navistar Fuel Pro 368 /388

Sales Code	DAVCO P/N	Description
0015LPW	386151LLNAVR-10	Fuel Pro 386 w/ Water-In-Fuel Sensor
0015LPX	386153LLNAVR-10	Fuel Pro 386 w/12V Pre Heater and Water-in-Fuel Sensor
0015LRU	386161LLNAVR-10	Fuel Pro 386 w/120V Overnight Heater and Water-in-Fuel Sensor
0015LRV	386163LLNAVR-10	Fuel Pro 386 w/120V Overnight Heater, 12V Pre Heater and Water-in-Fuel Sensor
0015LRS	388111LLNAVR1-10	Fuel Pro 388 w/Return Fuel Blend Heat and Water-In-Fuel Sensor
0015LPY	388113LLNAVR1-10	Fuel Pro 388 w/Return Fuel Blend Heat, 12V Pre Heater and Water-in-Fuel Sensor
0015LPZ	388121LLNAVR1-10	Fuel Pro 388 w/Return Fuel Blend Heat, 120V Overnight Heater and Water-in-Fuel Sensor
0015LRA	388123LLNAVR1-10	Fuel Pro 388 w/Return Fuel Blend Heat, 120V Overnight Heater, 12V Pre Heater and Water-in-Fuel Sensor

### DAVCO Technology, LLC

1600 Woodland Drive, Saline, MI 48176-1629  
800-328-2611 customerservice@davco.com www.davco.com

F5388 REV A NAVISTAR  
on 8/1/2023