

FUEL PRO® 386 & 387

PRODUCT DATA SHEET



The FUEL PRO® 386 & 387 provides filtration and fuel water separation for diesel engines with flow rates up to 180 gallons per hour.

The three layer filter design, with filtration to 15 microns, provides enhanced water separation capabilities for ultra-low sulfur diesel fuel with low interfacial tension.

Applications

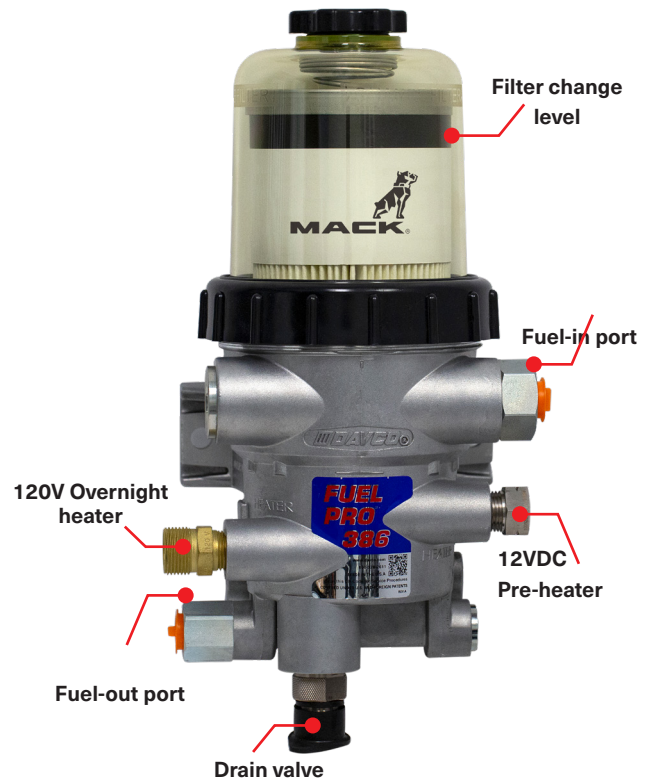
- Diesel engines with flow rates up to 180 gph

Options

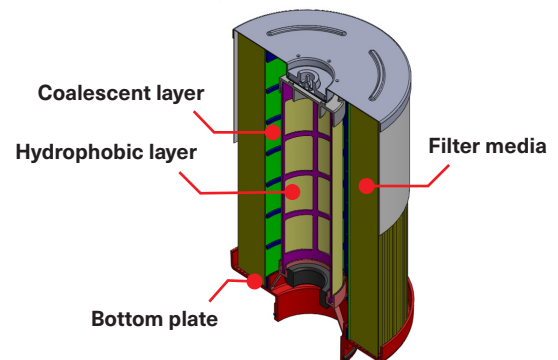
- Fuel Pro® 386: unheated
- Fuel Pro® 387: coolant heat
- 12VDC and 24VDC Pre-heater: uses ignition switch to heat fuel prior to running the engine

Benefits

- Seeing is Believing® - see when NOT to change your filter
- Protects diesel engines from contaminants
- Reduces maintenance downtime
- Visual troubleshooting
- Environmentally friendly filter change
- Simple filter priming for easier starts
- Biodiesel up to B20 compatible



Filter Technology



A Clariance Technologies Company

800-328-2611

customerservice@davco.com

www.davco.com

F5388MACK REV E | Updated on 05/19/2026

FUEL PRO® 386 / 387

Specifications

Height, overall, quick connect drain	15.30 in. (388.6 mm)
Depth, overall	6.58 in. (167.1 mm)
Width, maximum	8.10 in. (205.8 mm)
Weight, dry	Approx. 8-12 lbs
Minimum service height	3.5 in. (38.1 mm)
Max fuel flow	180 gph
Pre-heater	12VDC, 150W 24VDC, 135W

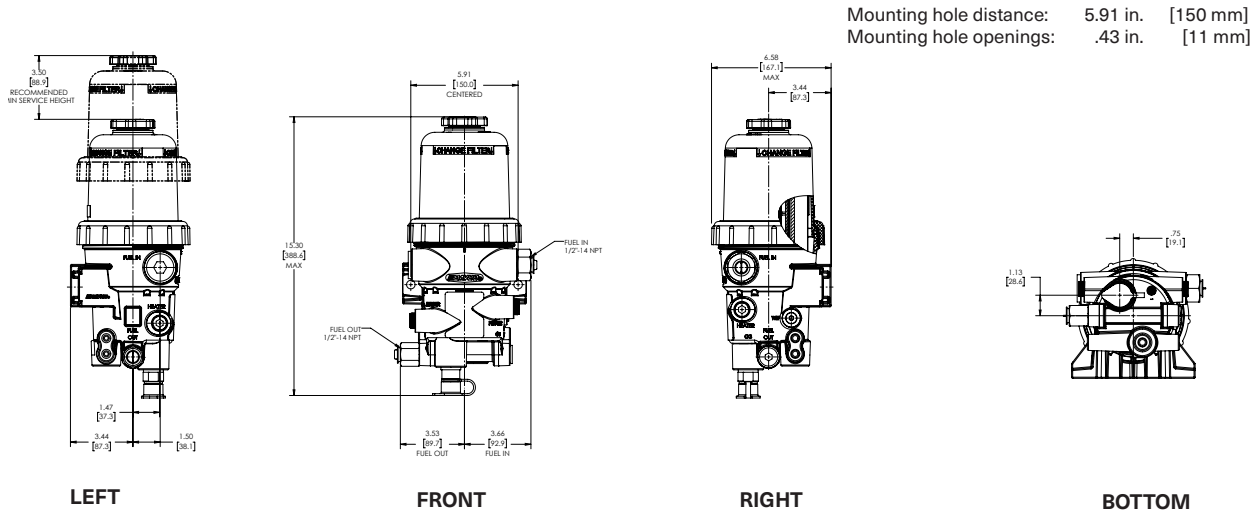
Filtration Performance (15 micron at 174 GPH)

Emulsified water removal	SAE J1488 is 96.9%
Dirt holding capacity	89 grams

Port Interface

Fuel-in	½"-14 NPT
Fuel-out	½"-14 NPT

Dimensions (½"-14 NPT Fuel-in/Fuel-out)



Part Numbers for Mack Fuel Pro® 386 /387

Conventional Models

Sales Codes	DAVCO Part #	Description
2931031	386152RLMAK-15	DAVCO 386 (w/o fluid heat) 12V preheat w/vendor primary
2931032	387130RLMAK7-15	DAVCO 387, (fluid HTD) fuel heater/water separator w/vendor primary
2931033	387132RLMAK7-15	DAVCO 387, (fluid HTD) W/12V preheat w/vendor primary

Cabover Models

Sales Codes	DAVCO Part #	Description
2931032	387130RLMAK7-15	DAVCO 387, (fluid HTD) fluid heater/water separator w/vendor primary

Replacement filter:

- Cummins Filtration part number: FS20194
- Volvo branded part number: 24009059
- Mack branded part number: 24009058

DAVCO Technology, LLC

All statements are based on OEM fuel quality requirements. Contact your DAVCO RSM for OEM specific warranties.

© 2025 DAVCO Technology, LLC. DAVCO is a subsidiary of Clariance Technologies. All rights reserved.