

FUEL PRO® 386 & 388

PRODUCT DATA SHEET



The **FUEL PRO® 386 & 388** provides filtration and fuel water separation for diesel engines with flow rates up to 180 gallons per hour.

The three layer filter design, with filtration to 10 microns, provides enhanced water separation capabilities for ultra-low sulfur diesel fuel with low interfacial tension.

Applications

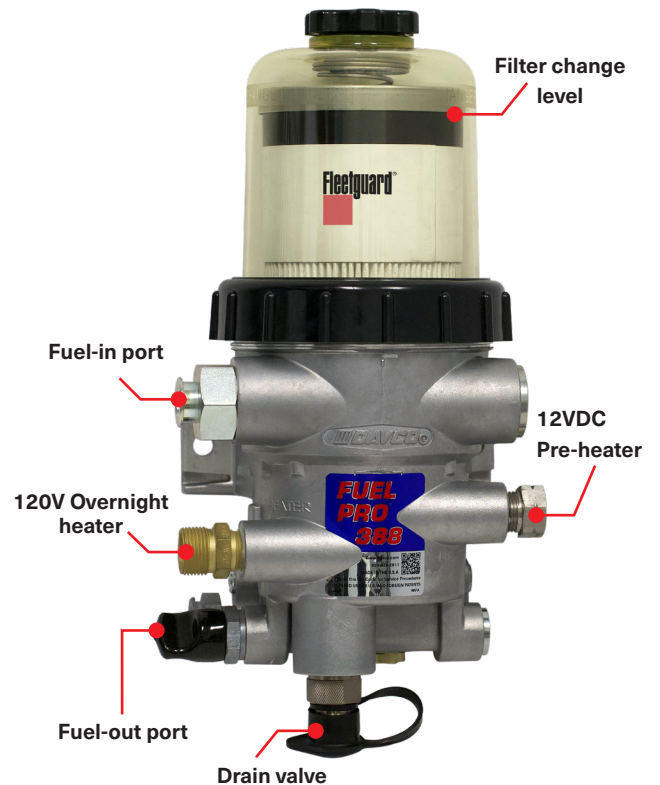
- Diesel engines with flow rates up to 180 gph

Options

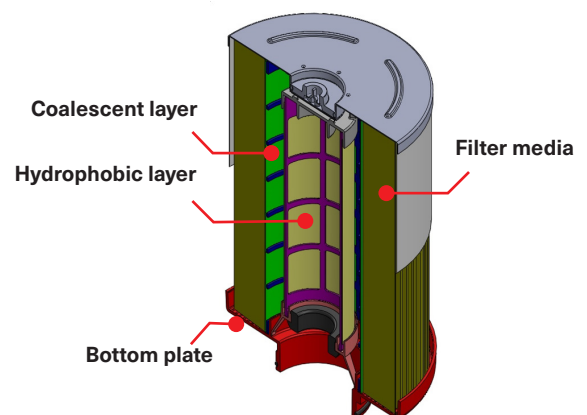
- Fuel Pro® 386: unheated
- Fuel Pro® 388: return fuel heat
- Heating options:
 - 12VDC Pre-heater: uses ignition switch to heat fuel prior to running the engine
 - 120VAC Overnight heater: prevents gelling while parked overnight
- Water-In-Fuel (WIF) sensor

Benefits

- Seeing is Believing® - see when NOT to change your filter
- Protects diesel engines from contaminants
- Reduces maintenance downtime
- Visual troubleshooting
- Environmentally friendly filter change
- Simple filter priming for easier starts
- Biodiesel up to B20 compatible



Filter Technology



A Clariance Technologies Company

800-328-2611

customerservice@davco.com

www.davco.com

F5388NAV REV E | Updated on 05/19/2026

FUEL PRO® 386 & 388

Specifications

Height, overall, quick connect drain	15.30 in. (388.6 mm)
Depth, overall	6.58 in. (167.1 mm)
Width, maximum	8.10 in. (205.8 mm)
Weight, dry	Approx. 8-12 lbs
Minimum service height	3.5 in. (38.1 mm)
Max fuel flow	180 gph
Pre-heater	12VDC, 150W
Overnight heater	120VAC, 95W

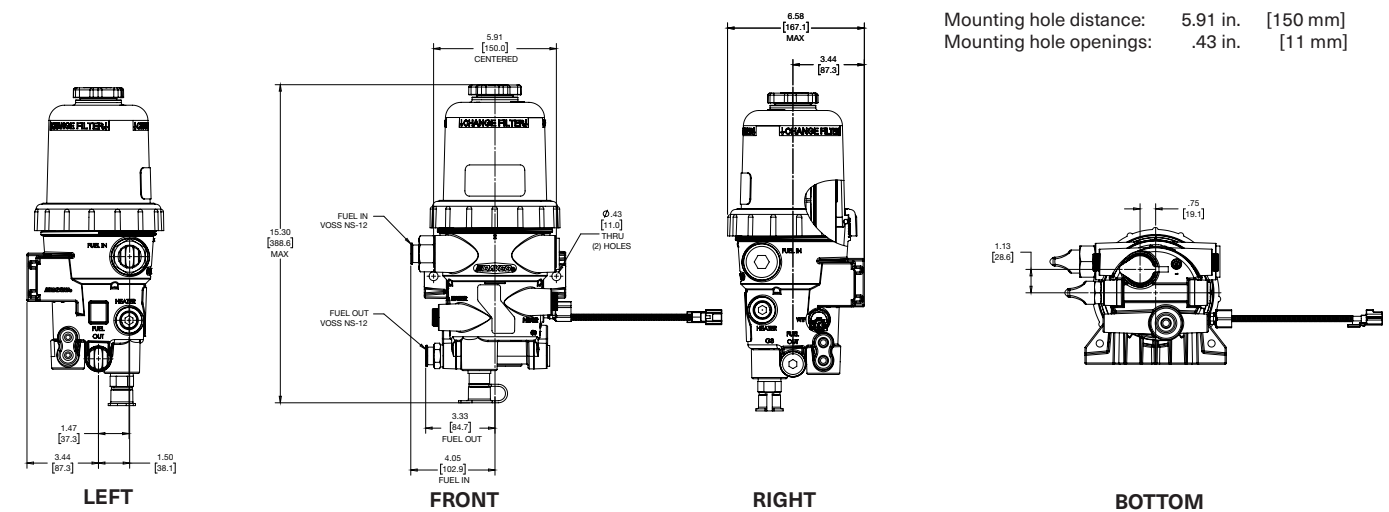
Filtration Performance (10 micron at 174 GPH)

Emulsified water removal	SAE J1488 is 96.9%
Dirt holding capacity	89 grams

Port Interface

Fuel-in	Voss NS-12, ½"-14 NPT
Fuel-out	Voss NS-12, ½"-14 NPT

Dimensions (Voss Fuel-in/Fuel-out)



Part Numbers for Navistar Fuel Pro 386 /388

Sales Codes	DAVCO Part #	Description
0015LPW	386151LLNAVR-10	Fuel Pro® 386 w/ water-in-fuel sensor
0015LPX	386153LLNAVR-10	Fuel Pro® 386 w/12V pre-heater and water-in-fuel sensor
0015LRU	386161LLNAVR-10	Fuel Pro® 386 w/120V overnight heater and water-in-fuel sensor
0015LRV	386163LLNAVR-10	Fuel Pro® 386 w/120V overnight heater, 12V pre-heater and water-in-fuel sensor
0015LRS	388111LLNAVR1-10	Fuel Pro® 388 w/return fuel blend heat and water-in-fuel sensor
0015LPY	388113LLNAVR1-10	Fuel Pro® 388 w/return fuel blend heat, 12V pre-heater and water-in-fuel sensor
0015LPZ	388121LLNAVR1-10	Fuel Pro® 388 w/return fuel blend heat, 120V overnight heater and water-in-fuel sensor
0015LRA	388123LLNAVR1-10	Fuel Pro® 388 w/return fuel blend heat, 120V overnight heater, 12V pre-heater and water-in-fuel sensor

Replacement filter:

- Fleetguard part number: FS20194

DAVCO Technology, LLC

All statements are based on OEM fuel quality requirements. Contact your DAVCO RSM for OEM specific warranties.

© 2025 DAVCO Technology, LLC. DAVCO is a subsidiary of Clariance Technologies. All rights reserved.

